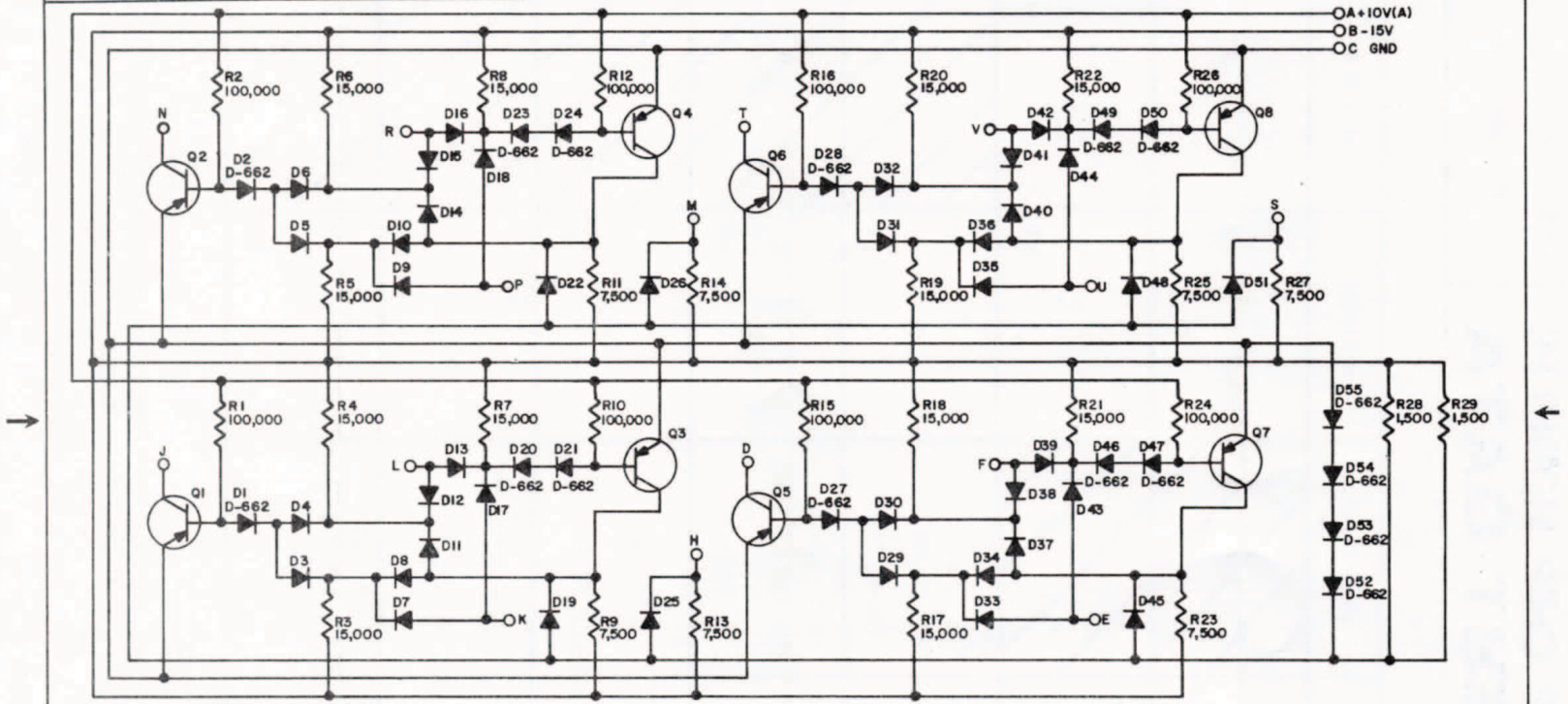


B CS NUMBER R131-0-1

THIS SCHEMATIC IS FURNISHED ONLY FOR TEST AND MAINTENANCE PURPOSES. THE CIRCUITS ARE PROPRIETARY IN NATURE AND SHOULD BE TREATED ACCORDINGLY. COPYRIGHT 1964 BY DIGITAL EQUIPMENT CORPORATION



UNLESS OTHERWISE INDICATED:  
RESISTORS ARE 1/4W, 5%  
TRANSISTORS ARE DEC 3639  
DIODES ARE D-664

TRANSISTOR & DIODE CONVERSION CHART

DEC	EIA	DEC	FIA
DEC 3639	2N3639		
D662	1N645		
D664	1N3606		

**digital** EQUIPMENT CORPORATION  
NATYARD MASSACHUSETTS

TITLE: EXCLUSIVE OR R131

SIZE	CODE	NUMBER	REV
B	CS	R131-0-1	B

PRINTED CIRCUIT REV: B