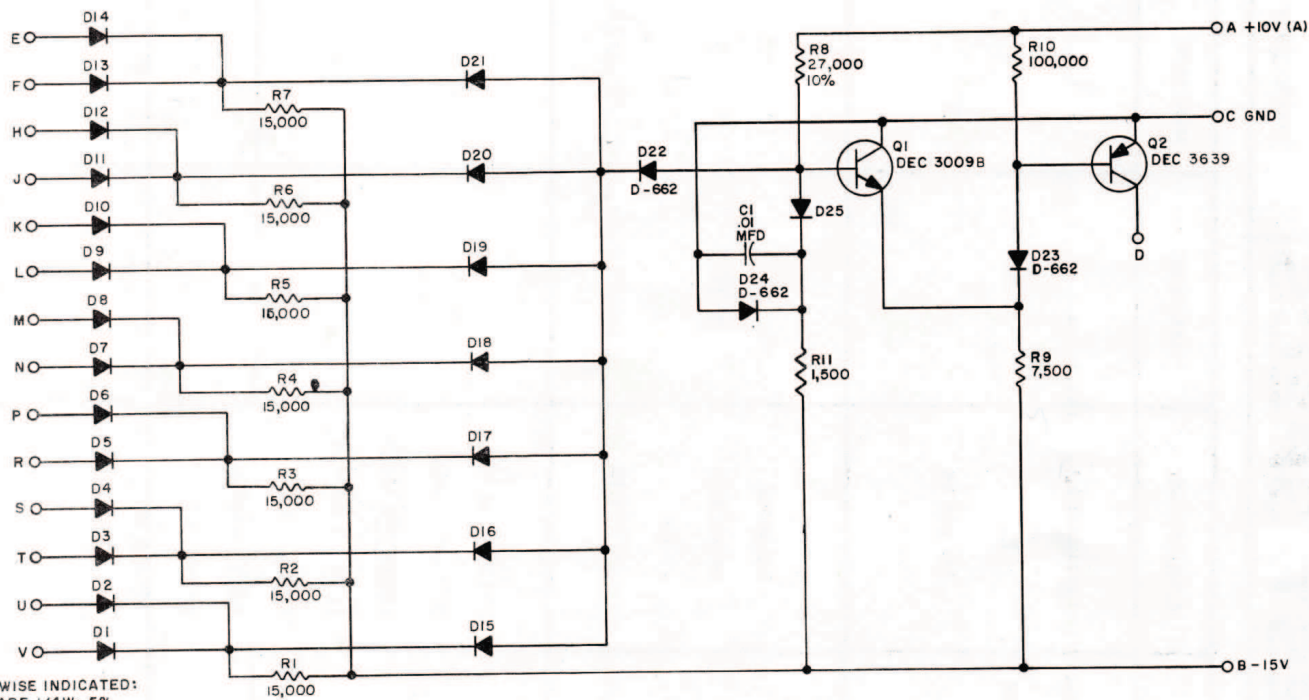


RS-B-R141-5



UNLESS OTHERWISE INDICATED:
RESISTORS ARE 1/4W, 5%
DIODES ARE D-664



TRANSISTOR & DIODE CONVERSION CHART			
DEC	EIA	DEC	EIA
DEC 3639	2N3639		
DEC 3009B	2N3009		
D-662	1N645		
D-664	1N3606		

NOTES

THIS SCHEMATIC IS FURNISHED ONLY FOR TEST AND MAINTENANCE PURPOSES. THE CIRCUITS ARE PROPRIETARY IN NATURE AND SHOULD BE TREATED ACCORDINGLY.

COPYRIGHT 1964 BY DIGITAL EQUIPMENT CORPORATION

4 B U D U L I I ~ K J Z Z E W ~ 3 >		
D	RS-B-R141	5
DIODE GATE R141		