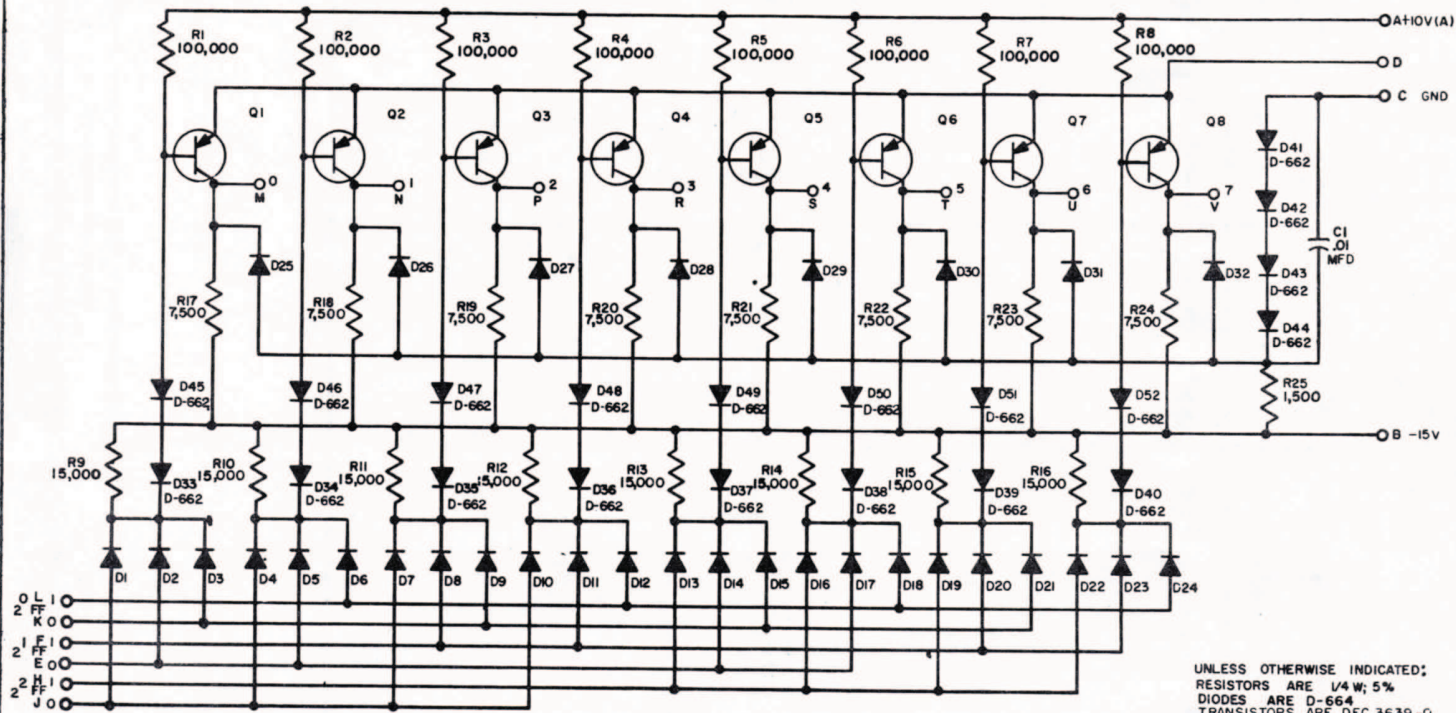


RS-B-R151-3



UNLESS OTHERWISE INDICATED;  
RESISTORS ARE 1/4 W; 5%  
DIODES ARE D-664  
TRANSISTORS ARE DEC 3639-0

TRANSISTOR & DIODE CONVERSION CHART			
DEC	EIA	DEC	EIA
DEC 3639-0	2N 3639		
D-662	1N845		
D-664	1N3606		

NOTES

THIS SCHEMATIC IS FURNISHED ONLY FOR TEST AND MAINTENANCE PURPOSES. THE CIRCUITS ARE PROPRIETARY IN NATURE AND SHOULD BE TREATED ACCORDINGLY.

COPYRIGHT 1964 BY DIGITAL EQUIPMENT CORPORATION

BINARY TO OCTAL DECODER R151		
B	RS-B-R151	3