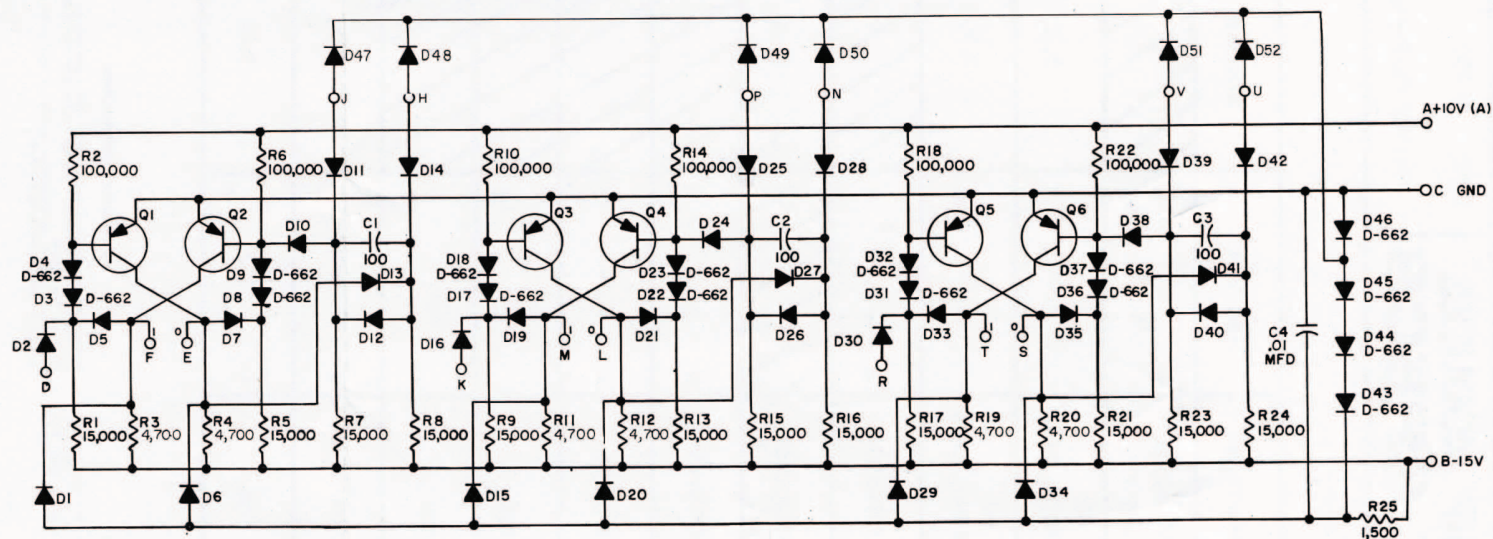


RS-B-R203-4



UNLESS OTHERWISE INDICATED:
RESISTORS ARE 1/4W, 5%
CAPACITORS ARE MMFD
DIODES ARE D-664
TRANSISTORS ARE DEC 3639

TRANSISTOR & DIODE CONVERSION CHART		NOTES	
DEC	EIA	DEC	EIA
DEC 3639	2N 3639		
D-662	1N645		
D-664	1N3606		

THIS SCHEMATIC IS FURNISHED ONLY FOR TEST AND MAINTENANCE PURPOSES. THE CIRCUITS ARE PROPRIETARY IN NATURE AND SHOULD BE TREATED ACCORDINGLY.

COPYRIGHT 1964 BY DIGITAL EQUIPMENT CORPORATION

D	RS-B-R203	4
TRIPLE FLIP-FLOP R203		