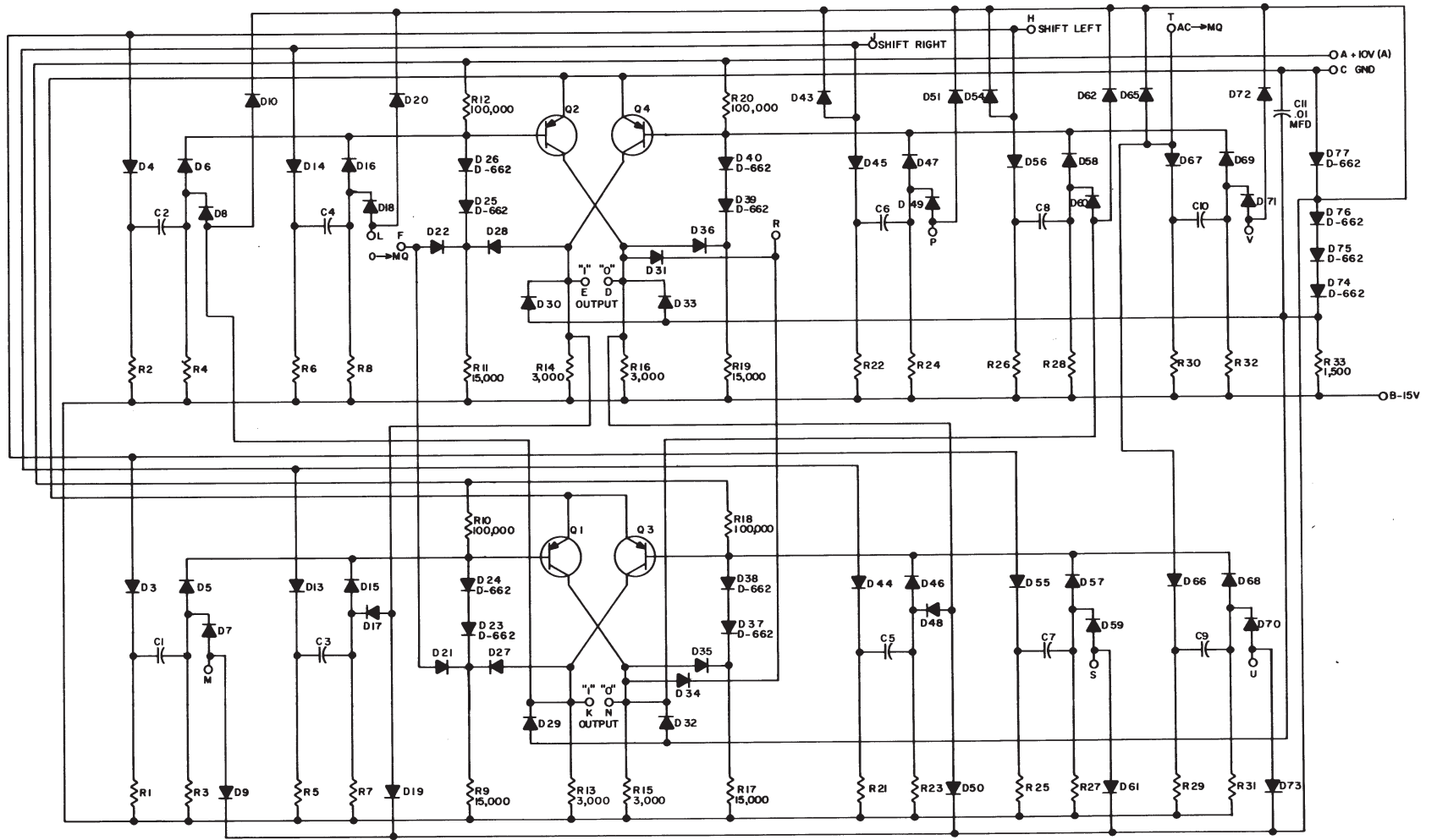


CS-C-R212-0-1 MQ Register R212 (Rev J)



UNLESS OTHERWISE INDICATED:  
 DIODES ARE D-664 SELECTED FOR SHUNT CAPACITANCE  $\leq 2$ MMF  
 TRANSISTORS ARE DEC 3639C  
 RESISTORS ARE 12,000  
 RESISTORS ARE 1/4W, 5%  
 CAPACITORS ARE 82 MMFD