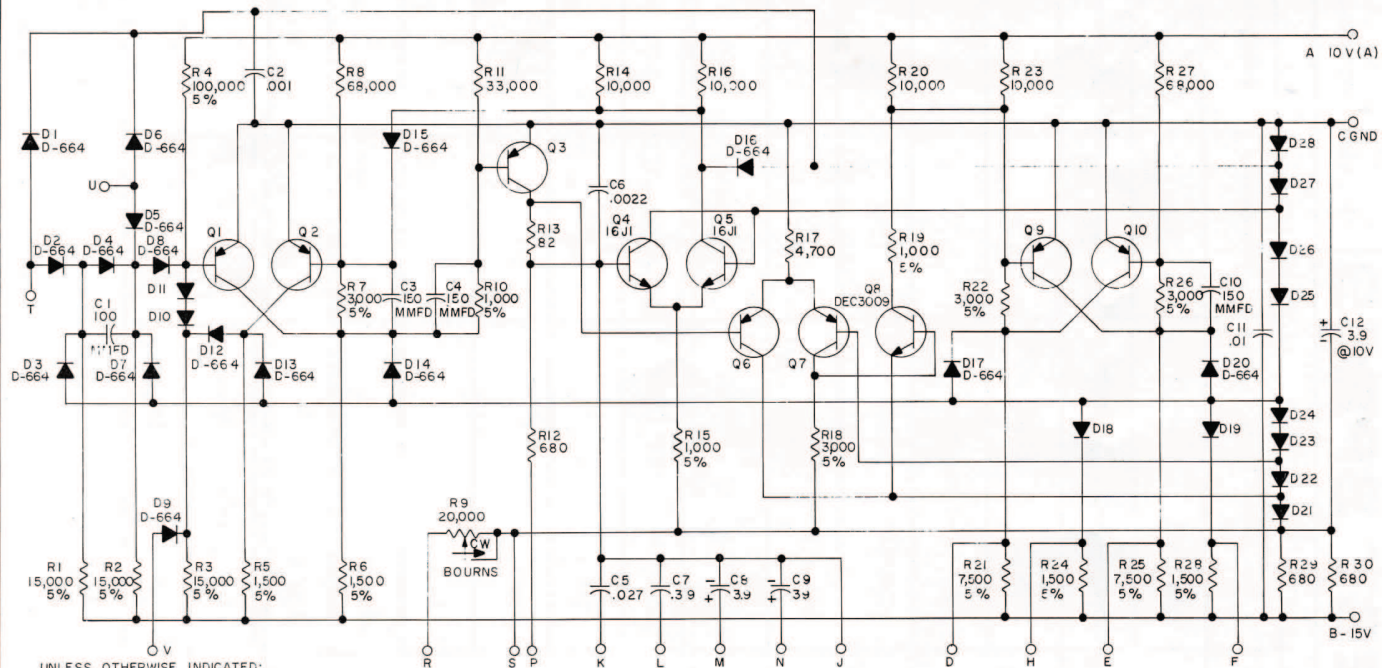


RS-B-R303-3



UNLESS OTHERWISE INDICATED:
 RESISTORS ARE 1/4W, 10%
 DIODES ARE C-662
 TRANSISTORS ARE DEC 3639
 CAPACITORS ARE MFD

TRANSISTOR & DIODE CONVERSION CHART			
DEC	EIA	DEC	EIA
DEC 2894-1	NONE		
DEC 3009	2N3009		
2N3605	2N3605		
D-662	1N645		
D-664	1N3606		

NOTES

THIS SCHEMATIC IS FURNISHED ONLY FOR TEST AND MAINTENANCE PURPOSES. THE CIRCUITS ARE PROPRIETARY IN NATURE AND SHOULD BE TREATED ACCORDINGLY.

COPYRIGHT 1965 BY DIGITAL EQUIPMENT CORPORATION

B R S - B - R 3 0 3		
B	RS-B-R303	3
INTEGRATING ONE SHOT R303		