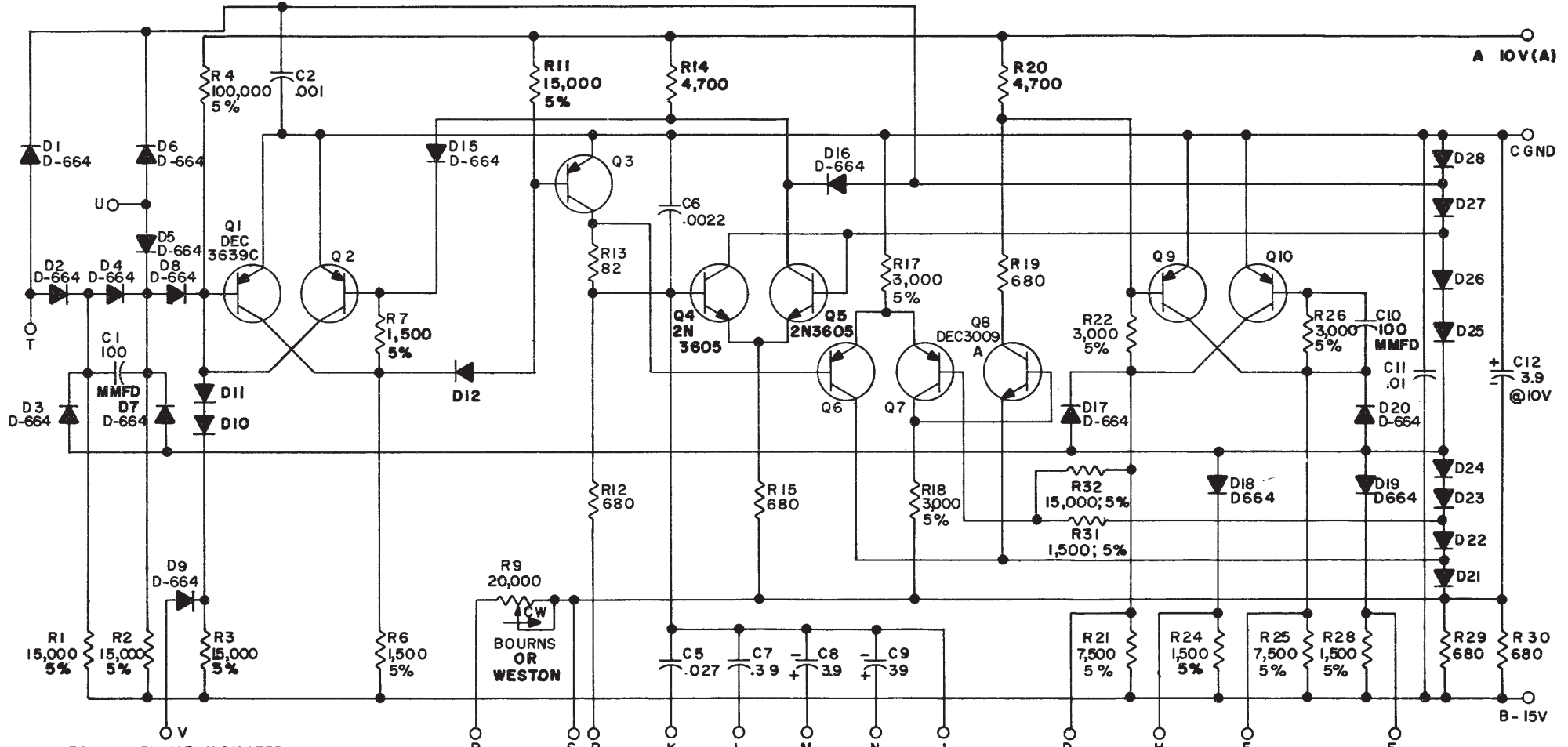


REV. K
 NUMBER R303-0-1
 SIZE B
 CODE CS

THIS SCHEMATIC IS FURNISHED ONLY FOR TEST AND MAINTENANCE PURPOSES. THE CIRCUITS ARE PROPRIETARY IN NATURE AND SHOULD BE TREATED ACCORDINGLY. COPYRIGHT 1965 BY DIGITAL EQUIPMENT CORPORATION



UNLESS OTHERWISE INDICATED: CAPS. ARE MFD
 RESISTORS ARE 1/4W, 10%
 DIODES ARE D-662,
 TRANSISTORS ARE DEC 3639B PARTS LIST A-PL-R303-0-0

REV.	CHG. NO.	REV.
1	8021	2
2	8026	0
3	8096	D
4	8173	E
5	8900	F
6	8669	H
7	8787	J
8	8997	K

DRN. I. HAHN	DATE 4-5-65
CHK'D R. SILVERMAN	DATE 4-16-65
ENG. R. DOANE	DATE 4-16-65
PROD.	DATE

TRANSISTOR & DIODE CONVERSION CHART			
DEC	EIA	DEC	EIA
DEC3639B	2N3639	DEC3639C	2N3639
DEC3009	2N3009		
2N3605	2N3605		
D662	1N645		
D664	1N3606		

digital
 EQUIPMENT CORPORATION
 MAYNARD, MASSACHUSETTS

TITLE INTEGRATING ONE-SHOT R303			
SIZE B	CODE CS	NUMBER R303-0-1	REV. K
PRINTED CIRCUIT REV.			D

PINK DIST. 324 454 435