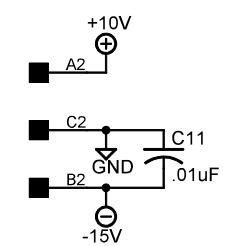
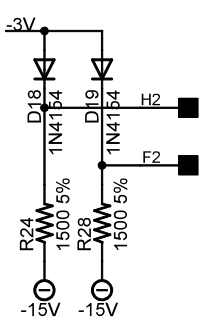
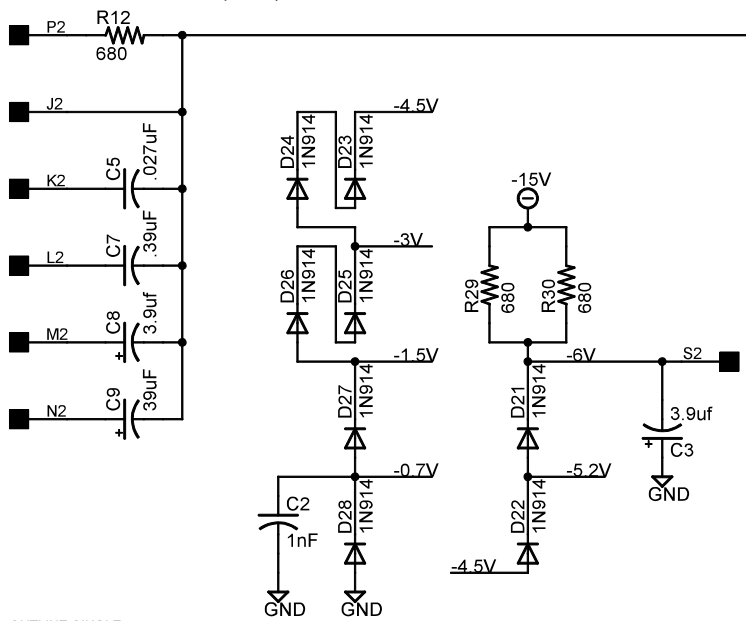


Install only one potentiometer.



OUTLINE-SINGLE

TITLE: R303X	
Document Number:	REV:
Date: 10/21/2012 11:35:44a	Sheet: 1/1