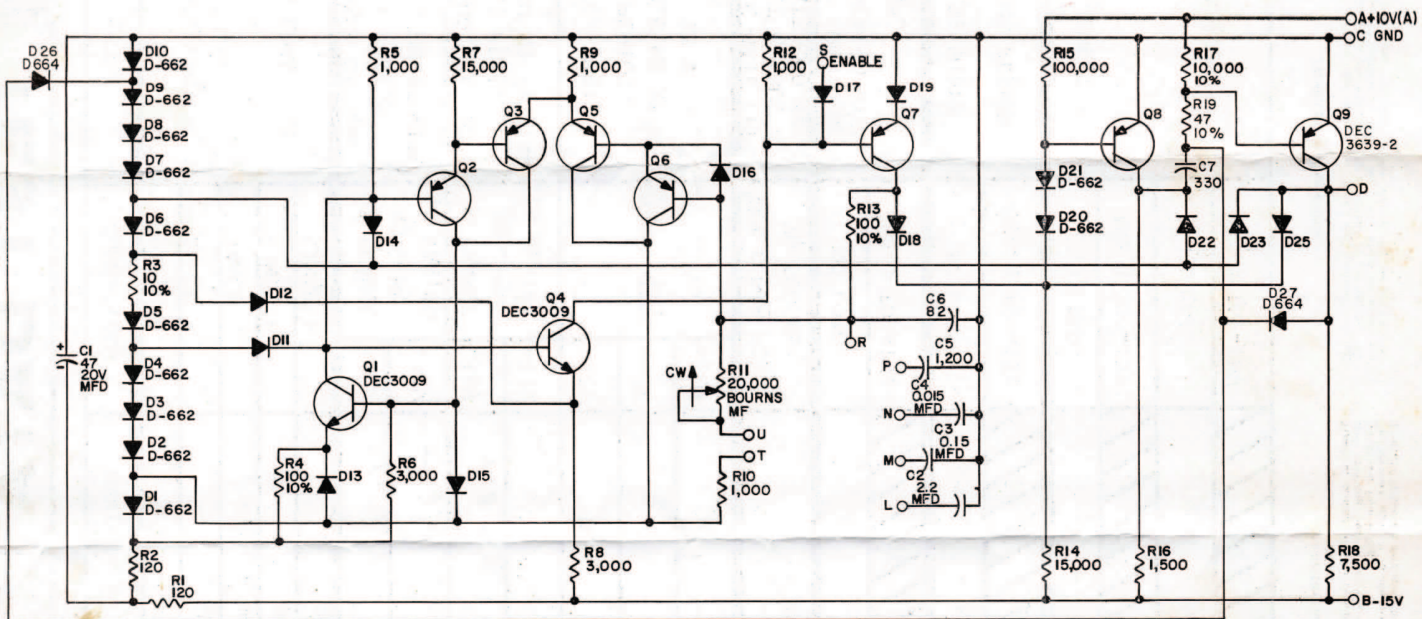


RS-B-R40I-5



UNLESS OTHERWISE INDICATED:
 RESISTORS ARE 1/4W; 5%
 CAPACITORS ARE MMFD
 DIODES ARE D-664
 TRANSISTORS ARE DEC 3639-0

TRANSISTOR & DIODE CONVERSION CHART			
DEC	EIA	DEC	EIA
DEC 3639-0	2N 3639		
2N3009	2N3009		
D-662	1N645		
D-664	1N3606		
DEC 3639-2	2N 3639-2		

NOTES

THIS SCHEMATIC IS FURNISHED ONLY FOR TEST AND MAINTENANCE PURPOSES THE CIRCUITS ARE PROPRIETARY IN NATURE AND SHOULD BE TREATED ACCORDINGLY.

COPYRIGHT 1964 BY DIGITAL EQUIPMENT CORPORATION

4 8 U D U L U I Z X J S Z A R N L 3 V		
D	RS-B-R40I	5
CLOCK R40I		