

Install only one crystal socket.

L1, C1 chosen to match frequency of CR1:

CR1	L1	C1	$1/(2 \cdot \pi \cdot \text{sqrt}(LC))$
10KHz	470mH	560pF	9.8KHz

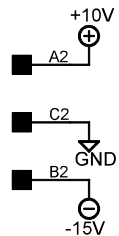
Per TechTip R405-TT-2/M405-TT-2:

Choose L1 from table:

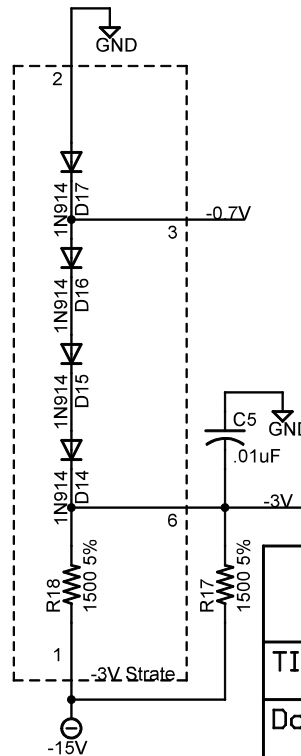
5-10KHz	470mH	16-00638
10-25KHz	220mH	16-00637
25-40KHz	100mH	16-00632
40-100KHz	4.7mH	16-00639
100-250KHz	1000uH	16-00636
250-500KHz	220uH	16-00634
0.5-1MHz	47uH	16-00626
1-2MHz	10uH	16-00624

Then compute  $C = 1/(40 \cdot F^2 \cdot L)$   
and choose the closest standard size.

$C = 1/(40 \cdot 1E8 \cdot .47)$   
 $C = 5.32E-10$  or 532pF  
 $C = 560$  pF (closest standard size)



DEC crystal socket is similar to Augat 8000 (8003-1P1?).  
Possibly Augat 8003-1P1 (DEC 12-05638).  
10KHz Crystal package is HC13.



Crystal Clock R405	
TITLE: R405X	
Document Number: D-BS-R405-0-1	REV:
Date: 10/24/2012 05:05:33p	Sheet: 1/1