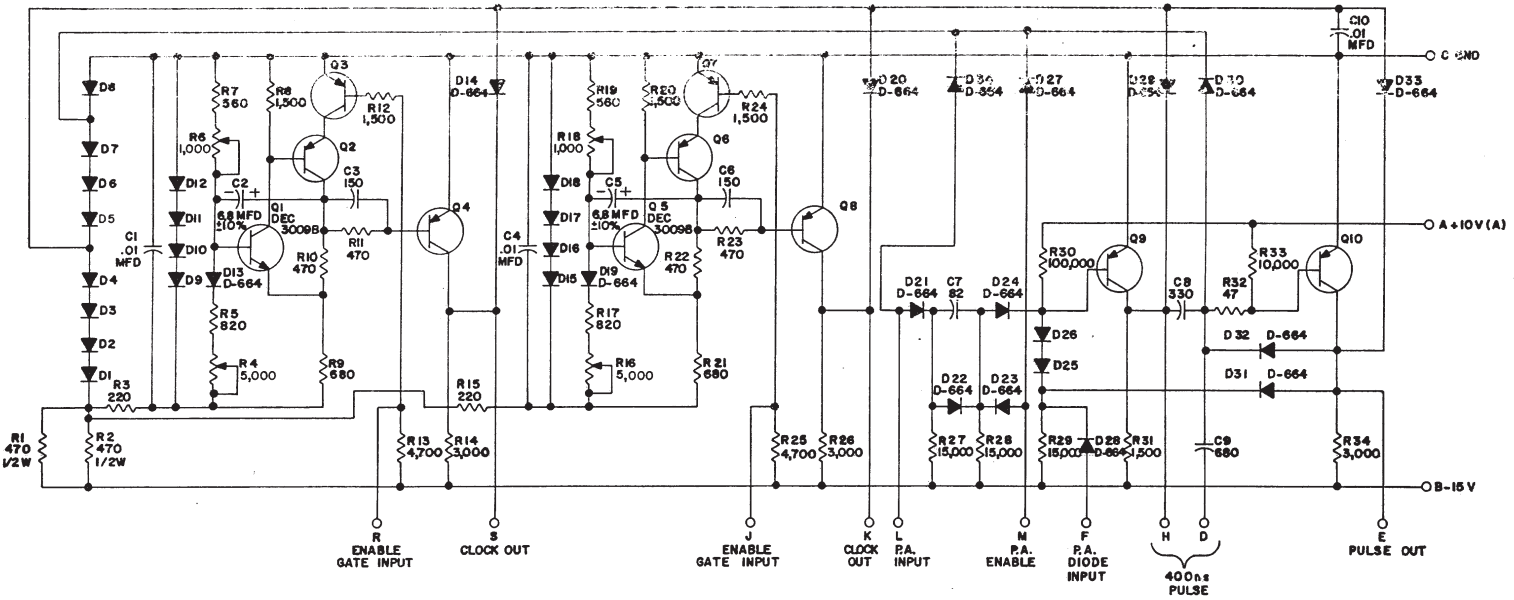


THIS SCHEMATIC IS FURNISHED ONLY FOR TEST AND MAINTENANCE PURPOSES. THE CIRCUITS ARE PROPRIETARY IN NATURE AND SHOULD BE TREATED ACCORDINGLY. COPYRIGHT 1966 BY DIGITAL EQUIPMENT CORPORATION



UNLESS OTHERWISE INDICATED:  
 TRANSISTORS ARE DEC 3639  
 CAPACITORS ARE MMFD  
 RESISTORS ARE 1/4W, 5%  
 DIODES ARE D-662  
 R4 & R16 ARE DEC1309150-04  
 R6 & R16 ARE DEC1309150-03

USE THE ETCH BOARD OF THE R450

PARTS LIST IS A-PL-R451-0-0

REV. C  
 NUMBER R451-0-1  
 CS  
 FILE CODE C

REVISIONS	CHK	CHG	NO.	REV.
			6188	A
			6454	B
			10001	C

DRN.	DATE
Mr. Walter	12-14-66
CHK'D	DATE
	12/14/66
DATE	
12/14/66	
PROD.	DATE

TRANSISTOR & DIODE CONVERSION CHART			
DEC	EIA	DEC	EIA
DEC3639	2N3639		
DEC3009B	2N3009		
D662	1N645		
D664	1N3608		

**digital**  
 EQUIPMENT CORPORATION  
 MAYNARD, MASSACHUSETTS

TITLE		VARIABLE CLOCK R451	
SIZE	CODE	NUMBER	REV.
C	CS	R451-0-1	C
PRINTED CIRCUIT REV.			E

DIST. 12/14/66, 435, 374 PINK