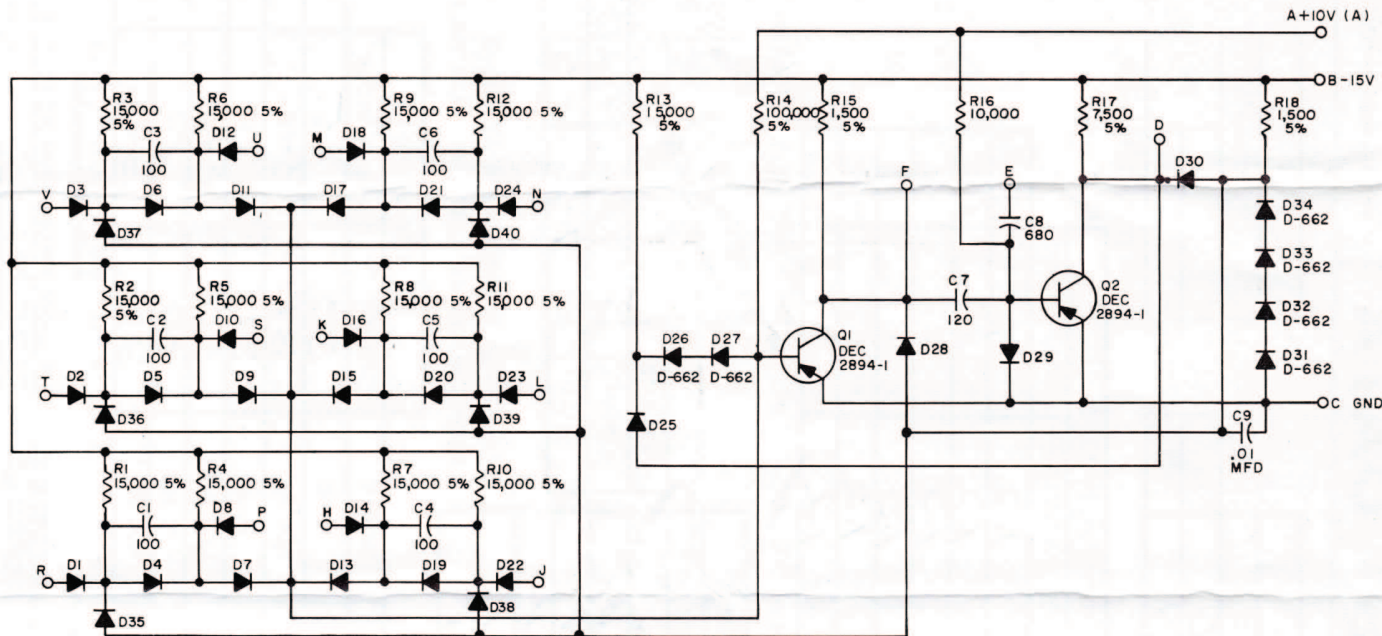


RS-B-R601-3



UNLESS OTHERWISE INDICATED:  
 RESISTORS ARE 1/4W, 10%  
 CAPACITORS ARE MMFD  
 DIODES ARE D-664

TRANSISTOR & DIODE CONVERSION CHART			
DEC	EIA	DEC	EIA
DEC 2894-1	DEC 2894-1		
D-662	1N645		
D-664	1N3606		

NOTES

THIS SCHEMATIC IS FURNISHED ONLY FOR TEST AND MAINTENANCE PURPOSES. THE CIRCUITS ARE PROPRIETARY IN NATURE AND SHOULD BE TREATED ACCORDINGLY.  
 COPYRIGHT 1964 BY DIGITAL EQUIPMENT CORPORATION

PULSE AMPLIFIER		
B	RS-B-R601	3