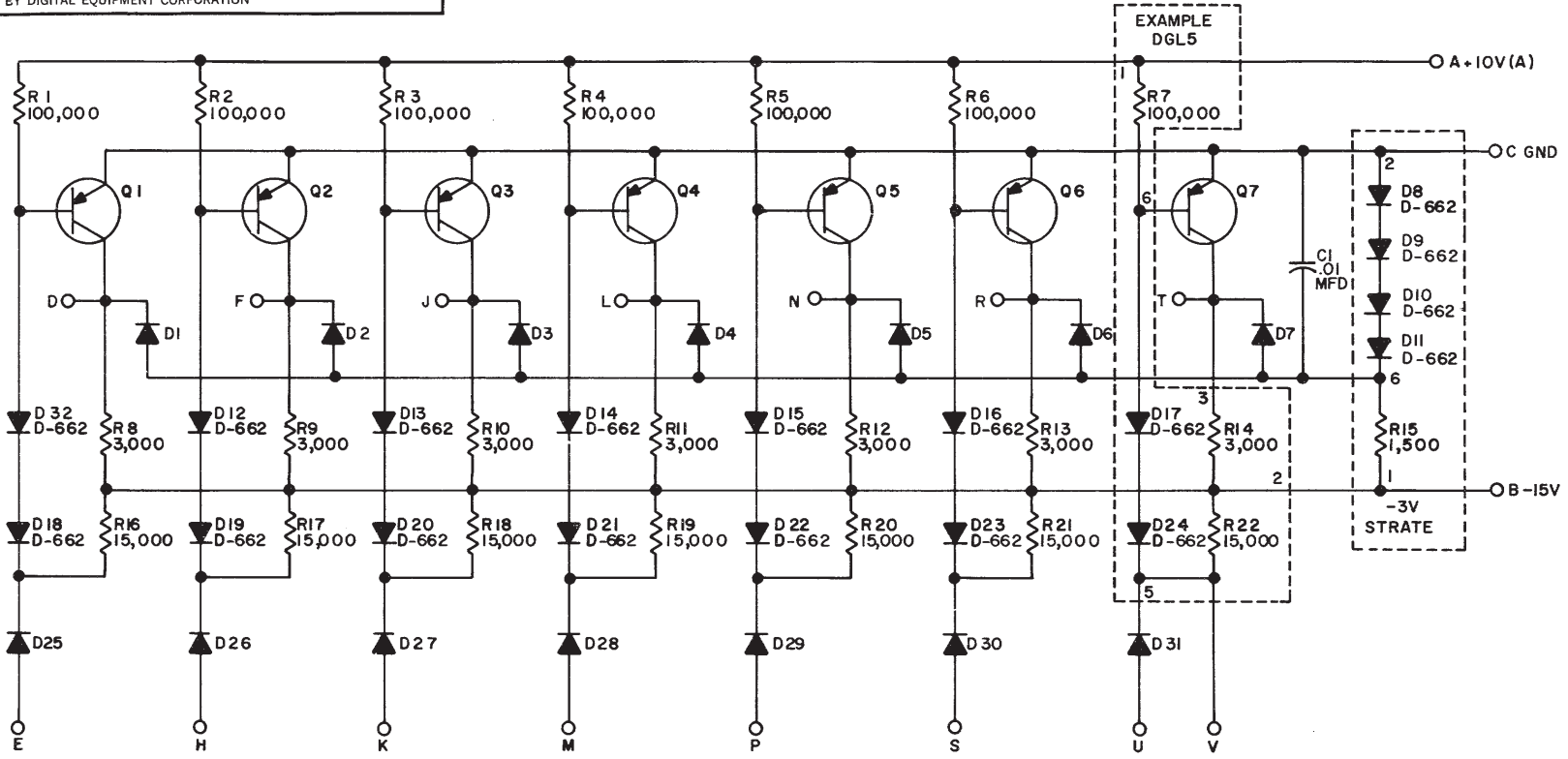


THIS SCHEMATIC IS FURNISHED ONLY FOR TEST AND MAINTENANCE PURPOSES. THE CIRCUITS ARE PROPRIETARY IN NATURE AND SHOULD BE TREATED ACCORDINGLY. COPYRIGHT 1965 BY DIGITAL EQUIPMENT CORPORATION



EXAMPLE DGL5

UNLESS OTHERWISE INDICATED:  
 RESISTORS ARE 1/4W;5%  
 DIODES ARE D-664  
 TRANSISTORS ARE DEC 3639B  
 PRINTED CIRCUIT REV. FOR DGL BOARD IS S1A

USE THE ETCH BOARD OF THE R107



PARTS LIST A-PL-SI07-C-0

REVISIONS	CHK/CHG NO / REV	C	D	DRN. I HAHN DATE 6-11-65	TRANSISTOR & DIODE CONVERSION CHART				<b>digital</b> EQUIPMENT CORPORATION MAYNARD, MASSACHUSETTS	TITLE INVERTER SI07					
	REV. B REDR.	5384	B		CHK'D R SILVERMAN DATE 6-18-65	DEC	EIA	DEC		EIA	SIZE B	CODE CS	NUMBER SI07-0-1	REV. D	
	REV. C	5458	C		ENG R SOGGE DATE 6-18-65	DEC 3639B	2N3639								
	REV. D	6857	D		PROD	D662	IN645								
				DATE	D664	IN3606									