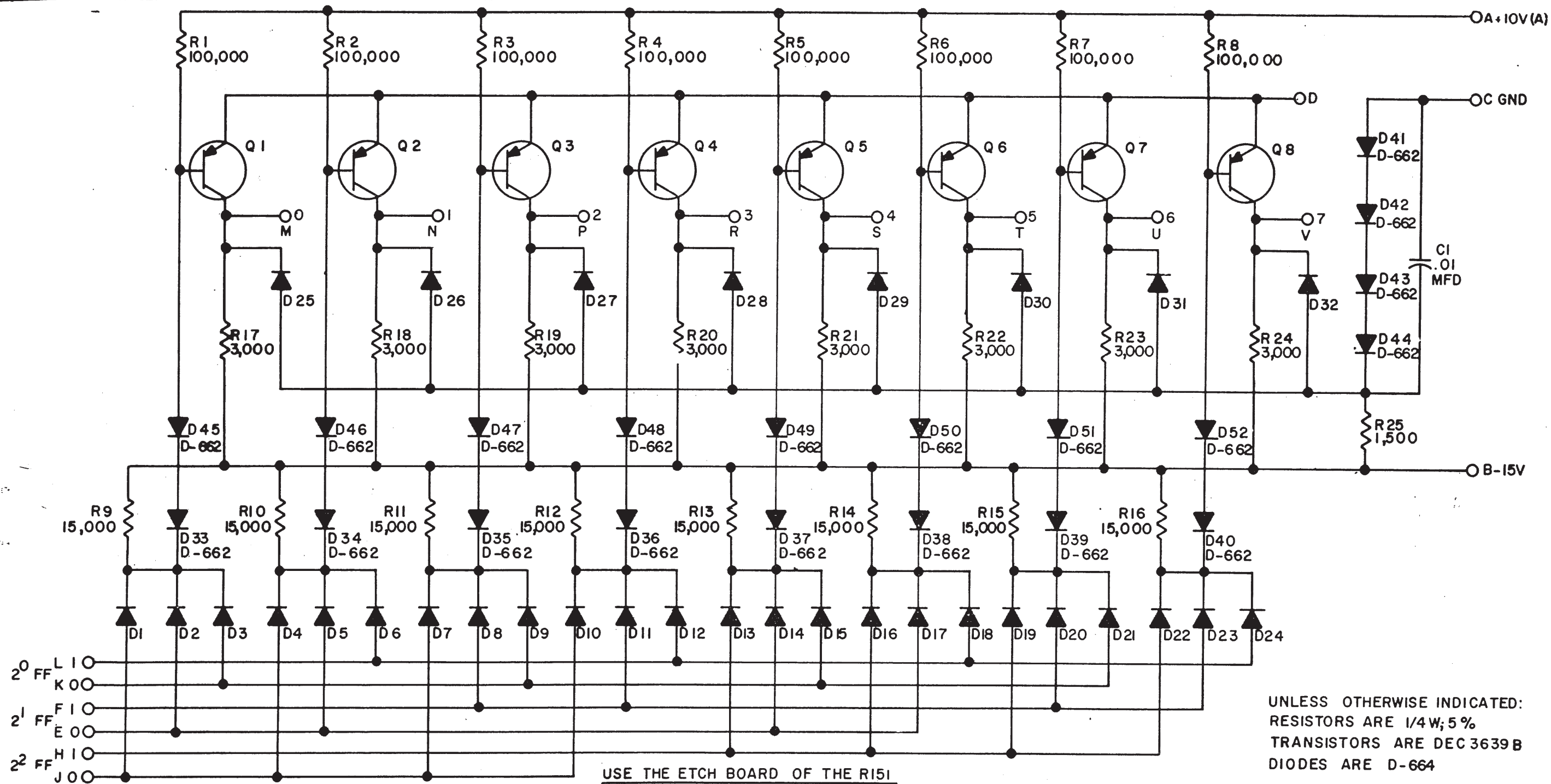




THIS SCHEMATIC IS FURNISHED ONLY FOR TEST AND MAINTENANCE PURPOSES. THE CIRCUITS ARE PROPRIETARY IN NATURE AND SHOULD BE TREATED ACCORDINGLY. COPYRIGHT 1965 BY DIGITAL EQUIPMENT CORPORATION



UNLESS OTHERWISE INDICATED:
RESISTORS ARE 1/4W; 5%
TRANSISTORS ARE DEC 3639B
DIODES ARE D-664

USE THE ETCH BOARD OF THE R151

REVISIONS CHK CHG NO. REV. REV. 6808 B 6854 C	DRN. I. HAHN	DATE 6-11-65	TRANSISTOR & DIODE CONVERSION CHART				digital EQUIPMENT CORPORATION MAYNARD, MASSACHUSETTS	TITLE BINARY TO OCTAL DECODER S151			
	CHK'D R. SILVERMAN	DATE 6-18-65	DEC	EIA	DEC	EIA		SIZE B	CODE CS	NUMBER S151-0-1	REV. C
	ENG. R. SOGGE	DATE 6-18-65	DEC3639B	2N3639							
	PROD.	DATE	D662	1N645							



PINK

PRINTED CIRCUIT REV.	B	C	D
DIST.	324	434	435