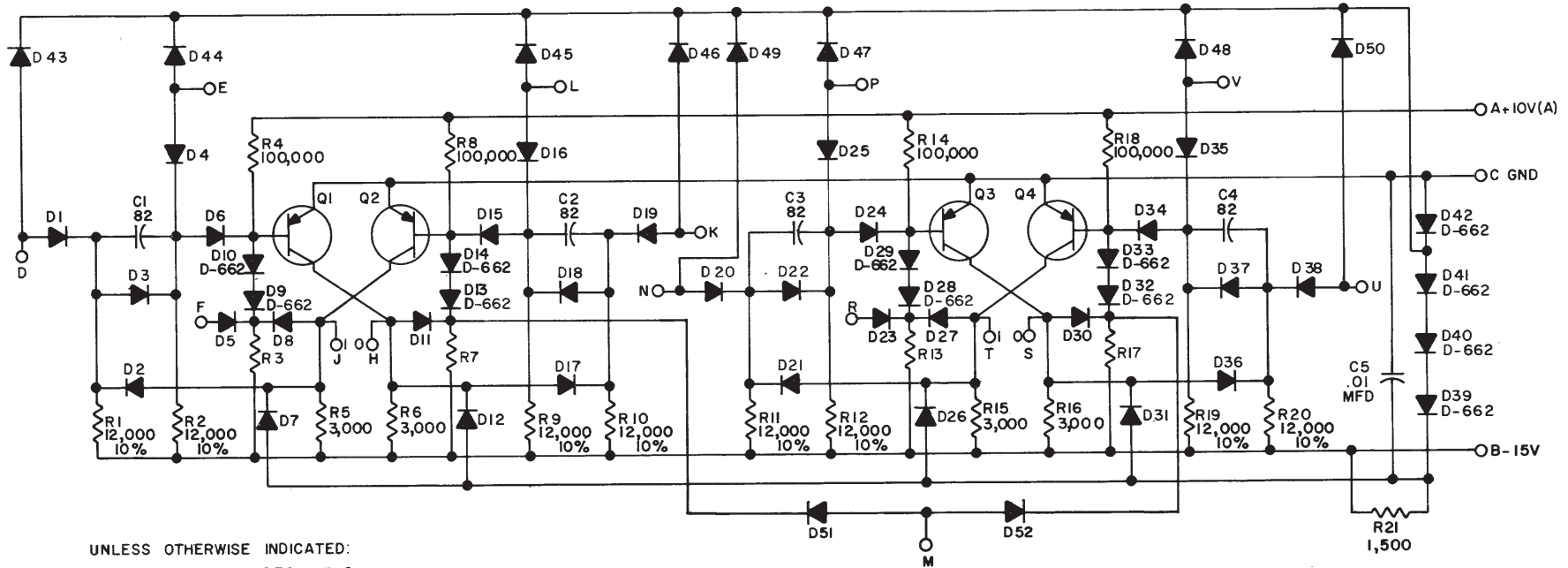


THIS SCHEMATIC IS FURNISHED ONLY FOR TEST AND MAINTENANCE PURPOSES. THE CIRCUITS ARE PROPRIETARY IN NATURE AND SHOULD BE TREATED ACCORDINGLY. COPYRIGHT 1965 BY DIGITAL EQUIPMENT CORPORATION



UNLESS OTHERWISE INDICATED:
 TRANSISTORS ARE DEC 3639C
 RESISTORS ARE 15,000
 RESISTORS ARE 1/4W, 5%
 CAPACITORS ARE MMFD
 DIODES ARE D-664

USE THE ETCH BOARD OF THE R202



REVISIONS CHK CHG NO REV. DAW 4994 I REV. & REDR. 15469 B 8493 C 8693 D	DRN. I. HAHN	DATE 6-15-65	TRANSISTOR & DIODE CONVERSION CHART		TITLE DUAL FLIP-FLOP S202 digital EQUIPMENT CORPORATION MAYNARD, MASSACHUSETTS	SIZE B	CODE CS	NUMBER S202-0-1	REV. D	
	CHK'D R. SIVERMAN	DATE 6-18-65	DEC 3639C	2N3639		PRINTED CIRCUIT REV.	D	E		
	ENG. R. SOGGE	DATE 6-18-65	D662	1N645						
	PROD.	DATE	D664	1N3606						