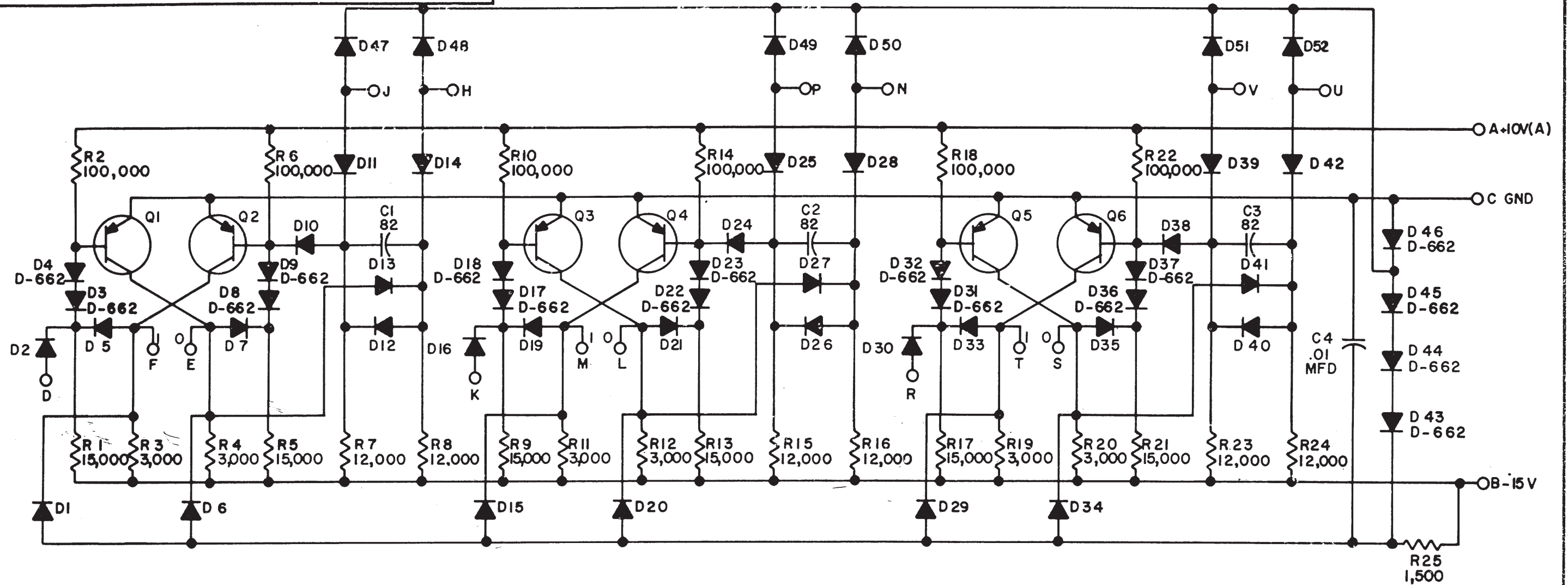


THIS SCHEMATIC IS FURNISHED ONLY FOR TEST AND MAINTENANCE PURPOSES. THE CIRCUITS ARE PROPRIETARY IN NATURE AND SHOULD BE TREATED ACCORDINGLY. COPYRIGHT 1965 BY DIGITAL EQUIPMENT CORPORATION



UNLESS OTHERWISE INDICATED:
 RESISTORS ARE 1/4W; 5%
 CAPACITORS ARE MMFD
 DIODES ARE D-664
 TRANSISTORS ARE DEC 3639C

USE THE ETCH BOARD OF THE R203



REVISIONS	CHK	CHG NO.	REV.
	DAW	4990	I
	REV. & REDR.	5468	B
		6494	C

DRN. I. HAHN	DATE 6-11-65
CHK'D R. SILVERMAN	DATE 6-18-65
ENG. R. SOGGE	DATE 6-18-65
PROD.	DATE

TRANSISTOR & DIODE CONVERSION CHART			
DEC	EIA	DEC	EIA
DEC3639C	2N3639		
D662	IN645		
D664	IN3606		

digital
 EQUIPMENT CORPORATION
 MAYNARD, MASSACHUSETTS

TITLE TRIPLE FLIP-FLOP S203			
SIZE B	CODE CS	NUMBER S203-0-1	REV. C
PRINTED CIRCUIT REV.			D