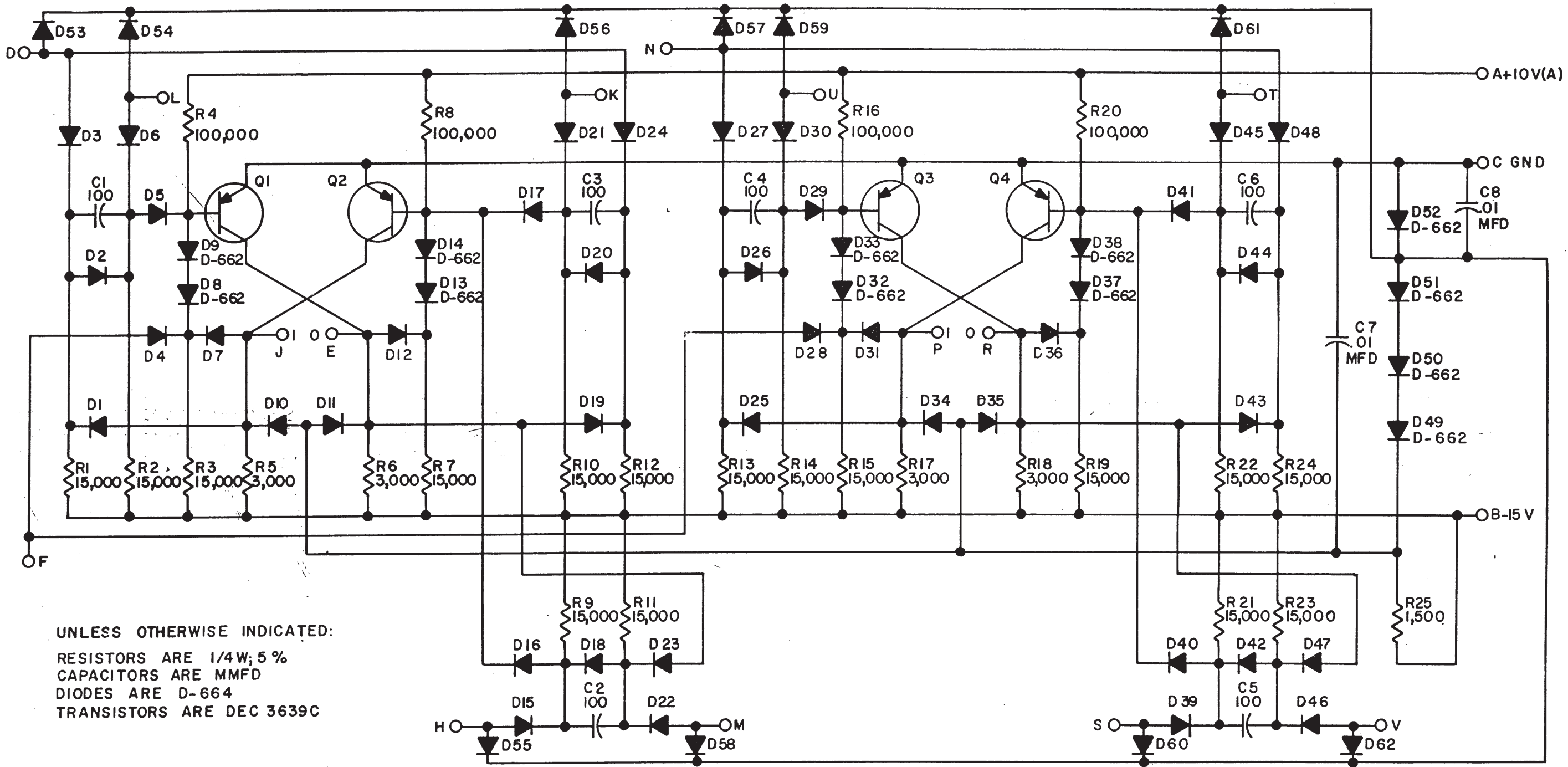


THIS SCHEMATIC IS FURNISHED ONLY FOR TEST AND MAINTENANCE PURPOSES. THE CIRCUITS ARE PROPRIETARY IN NATURE AND SHOULD BE TREATED ACCORDINGLY. COPYRIGHT 1965 BY DIGITAL EQUIPMENT CORPORATION



UNLESS OTHERWISE INDICATED:
 RESISTORS ARE 1/4W; 5%
 CAPACITORS ARE MMFD
 DIODES ARE D-664
 TRANSISTORS ARE DEC 3639C

PARTS LIST A-PL-S205-0-0

----- USE THE ETCH BOARD OF THE R205

REVISIONS	CHK	NO.	REV.
DAW	4989	2	D
REV. & REDR.	6492	C	
REV.	6853	D	

DRN. I. HAHN	DATE 6-14-65
CHK'D R. SILVERMAN	DATE 6-18-65
ENG. R. SOGGE	DATE 6-18-65
PROD.	DATE

TRANSISTOR & DIODE CONVERSION CHART			
DEC		EIA	
DEC3639C		2N3639	
D662		IN645	
D664		IN3606	

digital

EQUIPMENT CORPORATION
 MAYNARD, MASSACHUSETTS

TITLE			
DUAL FLIP FLOP S205			
SIZE B	CODE CS	NUMBER S205-0-1	REV. D
PRINTED CIRCUIT REV.			