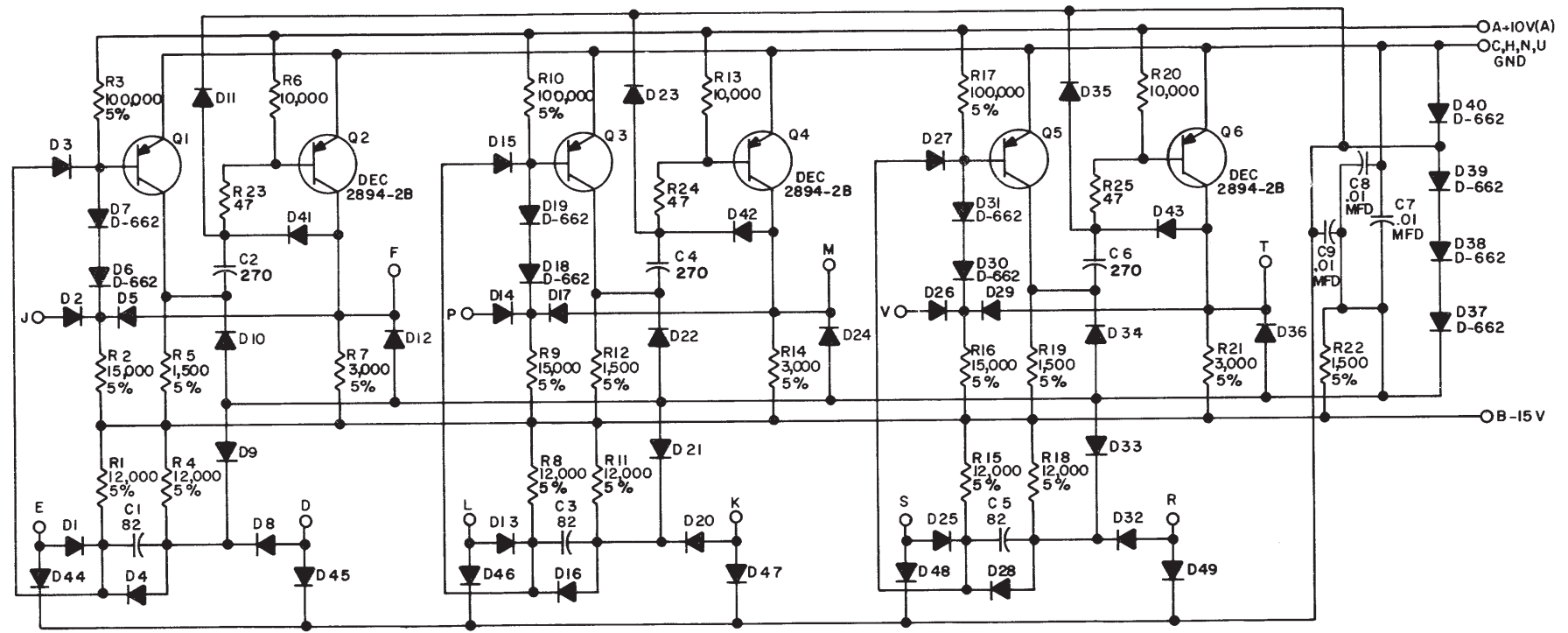


THIS SCHEMATIC IS FURNISHED ONLY FOR TEST AND MAINTENANCE PURPOSES. THE CIRCUITS ARE PROPRIETARY IN NATURE AND SHOULD BE TREATED ACCORDINGLY. COPYRIGHT 1965 BY DIGITAL EQUIPMENT CORPORATION



UNLESS OTHERWISE INDICATED:
 RESISTORS ARE 1/4W; 10%
 CAPACITORS ARE MMFD
 DIODES ARE D-664
 TRANSISTORS ARE DEC 3639-C

USE THE ETCH BOARD OF THE R603

PARTS LIST A-PL-S603-0-0

REVISIONS CHK CHG NO. REV. DAW 5273 2 REV. 8 REDR. C Rev. 5371 C Rev. 5923 D Rev. 6059 E	DRN.	I HAHN	DATE	6-14-65	TRANSISTOR & DIODE CONVERSION CHART DEC EIA DEC EIA DEC 2894-2B NONE DEC 3639C 2N3639 D662 IN645 D664 IN3606				digital EQUIPMENT CORPORATION MAYNARD, MASSACHUSETTS	TITLE			
	CHK'D	R SILVERMAN	DATE	6-18-65						PULSE AMPLIFIER S603			
	ENG.	R. SOGGE	DATE	6-18-65	SIZE	B	CODE	CS		NUMBER	S603-0-1	REV.	E
	PROD.		DATE		PRINTED CIRCUIT REV.					D			