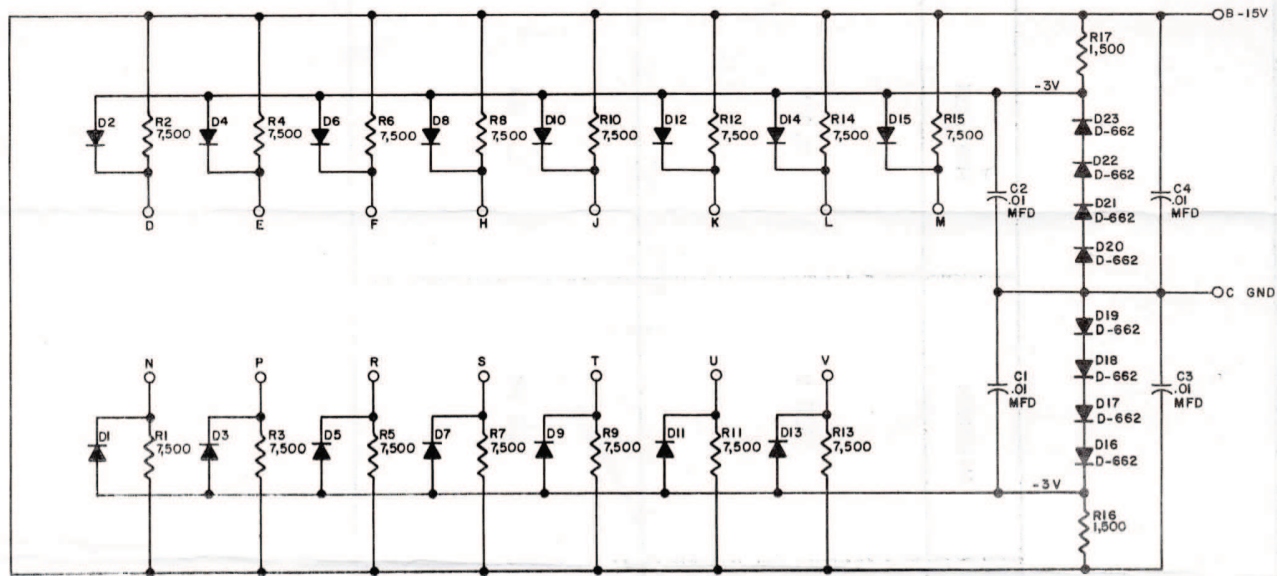


RS-B-W002



UNLESS OTHERWISE INDICATED:
RESISTORS ARE 1/4W, 5%
DIODES ARE D-664

USE THE ETCH BOARD OF THE W005

TRANSISTOR & DIODE CONVERSION CHART			
DEC	EIA	DEC	EIA
D-662	1N645		
D-664	1N306		

NOTES

THIS SCHEMATIC IS FURNISHED ONLY FOR TEST AND MAINTENANCE PURPOSES. THE CIRCUITS ARE PROPRIETARY IN NATURE AND SHOULD BE TREATED ACCORDINGLY.
COPYRIGHT 1964 BY DIGITAL EQUIPMENT CORPORATION

A		RS-B-W002	
CLAMP LOADS W002			