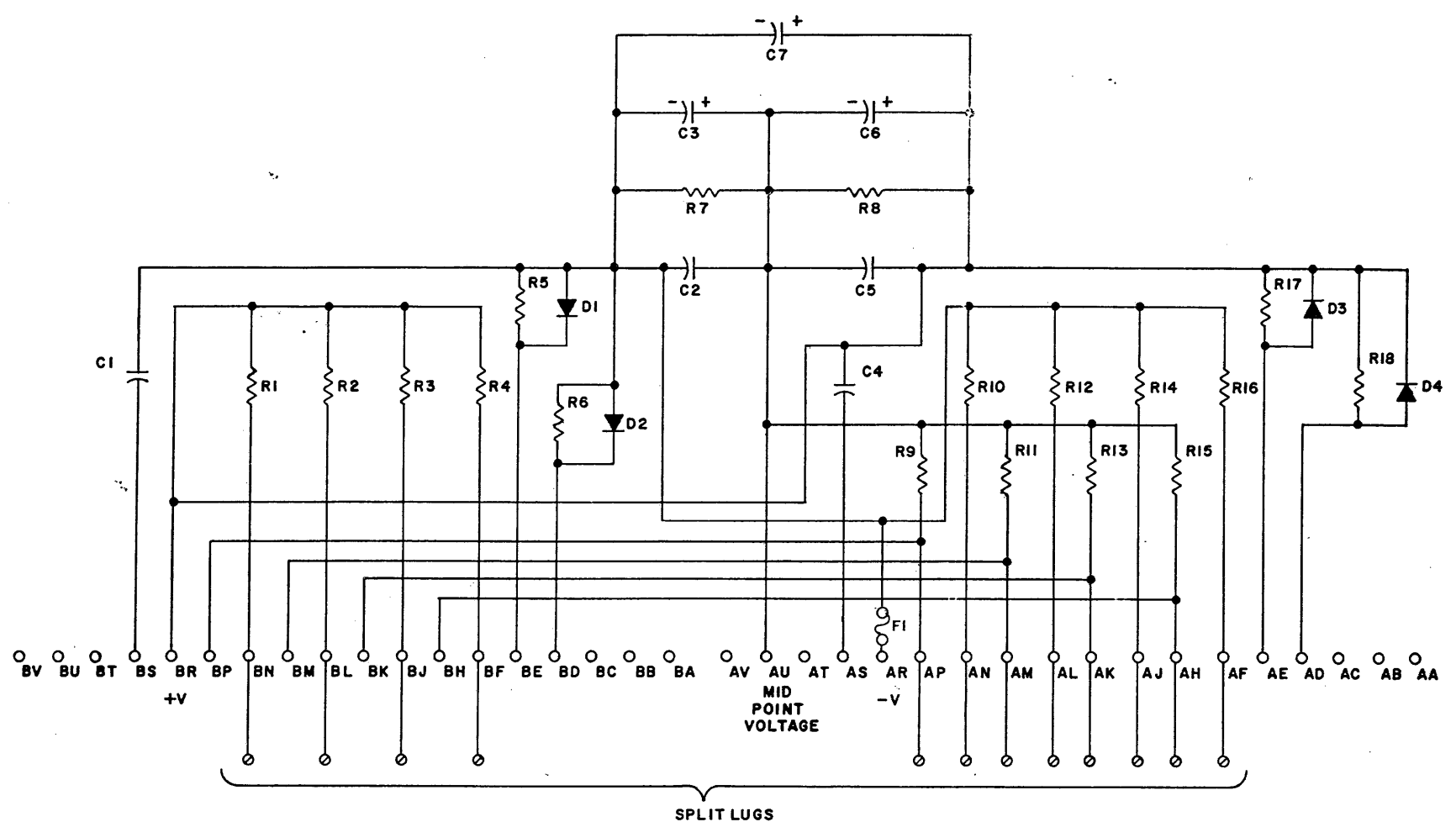


THIS SCHEMATIC IS BURNED ON THE BOARD. THE CIRCUITS ARE PRINTED ON THE BOARD. COPYRIGHT 1967 BY DIGITAL EQUIPMENT CORPORATION.



F1	FUSE 1/2 AMP. BUSS GFA	9007208
R9, R11, R13, R15	RES. 82 1/2W 10% CC	1300225
R7, R8	RES. 470 2W 5% CC	1303062
R6, R18	RES. 40 10W 1%	1305787
R5, R17	RES. 20 10W 1% WW	1300187
R1-R4, R10, R12, R14, R16	RES. 1K 1/4W 5% CC	1300365
D1-D4	DIODE D671	1103309
C3, C6, C7	CAP. 20 MFD 50V -10+75% ELECT	1002839
C2, C5	CAP. .01 MFD 100V 20% DISC	1001610
C1, C4	CAP. 470 MMF 100V 5% D.M.	1000024
PARTS LIST		A-PL-W014-0-0
REFERENCE DESIGNATION	DESCRIPTION	PART NO.

REVISIONS	CHK'G NO.	REV.
	7174	1.0

DRN.	DATE
<i>M. Waller</i>	11-9-67
CHK'D	DATE
	11/13/67
ENG.	DATE
<i>u.e.</i>	11/13/67
PROD.	DATE
3	

TRANSISTOR & DIODE CONVERSION CHART			
DEC	EIA	DEC	EIA
D671	1N3693		

digital EQUIPMENT CORPORATION
MAYNARD, MASSACHUSETTS

TITLE: **DIGIT STACK CONNECTOR W014**

SIZE: C CODE: CS NUMBER: W014-0-1 REV: D

PRINTED CIRCUIT REV: A

REV. D
NUMBER W014-0-1
SIZE CODE C CS