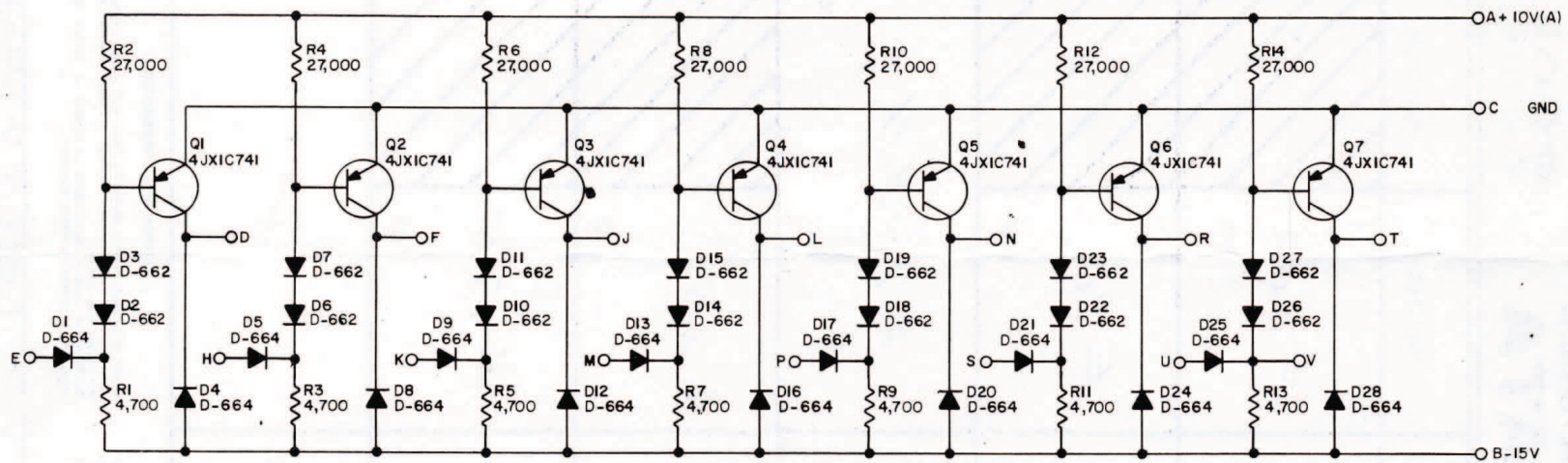


CS-B-W051



UNLESS OTHERWISE INDICATED:
RESISTORS ARE 1/4W; 10%

USE THE ETCHED BOARD OF THE RI07



ECO NO.	DRAFTSMAN	CHECKER	digital EQUIPMENT CORPORATION <small>STANFORD, MASSACHUSETTS</small>	CODE	DWG NO	REV
	REVISIONS	H.W. PORTER		DATE	CS	
ENG	ENGINEER	PRODUCTION	TITLE	100 MA INDICATOR & RELAY DRIVER W051		
	DATE	DATE				