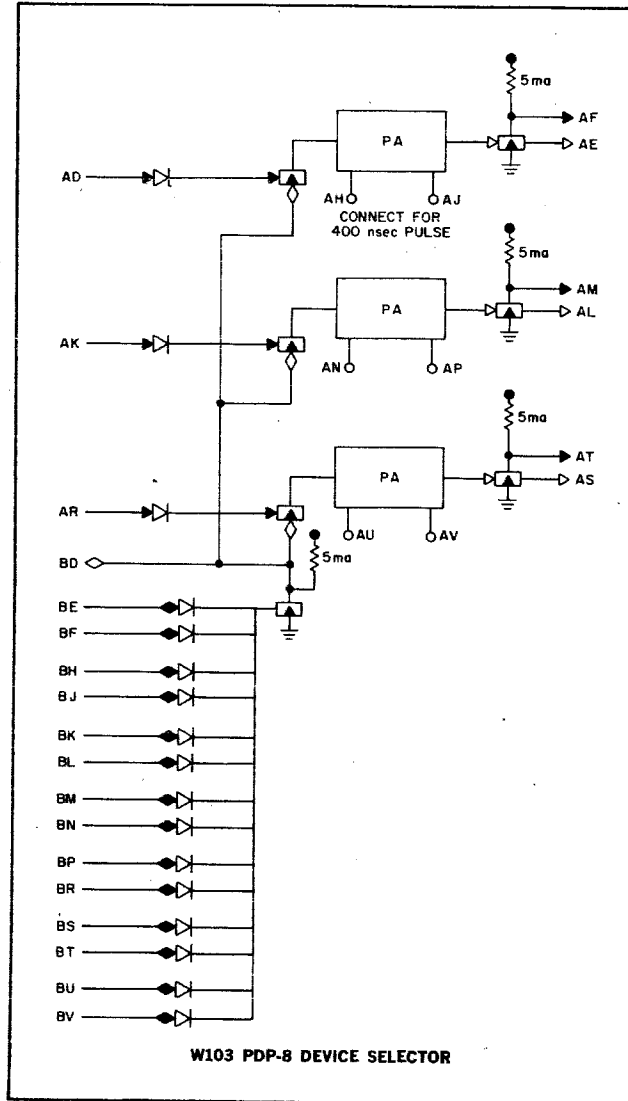


PDP-8 DEVICE SELECTOR TYPE W103

W SERIES



This module is used to decode the six device selector bits transmitted in complement pairs on the PDP-8 or PDP-8/S I/O bus, and it provides standard pulses to the selected device. The device code is selected by cutting one diode of each pair, BE or BF, etc., off the board. Device coding can also be accomplished by selective wiring of the bus inputs to the diode pairs.

INPUTS: Diodes — Standard levels of $-3v$ and ground. Input load is 1 ma shared among the inputs that are at ground. **Pulse Input** — Standard 100 nsec negative pulse or any pulse at least

100 nsec wide with an amplitude of 2.5 volts.

OUTPUTS: With terminals AH and AJ or the corresponding terminals on other sections connected together, the output is a standard 400 nsec pulse. With these terminals open the output is a standard 100 nsec pulse. Both positive ($-3v$ to ground) and negative pulses are available. Each positive output can drive 65 ma of external load at ground and each negative output 15 ma.

POWER: $+10 v(A)/6.4 ma$; $-15 v/57 ma$.