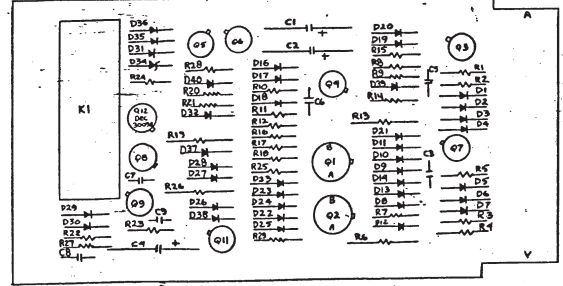
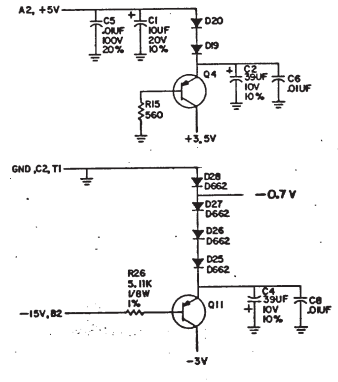
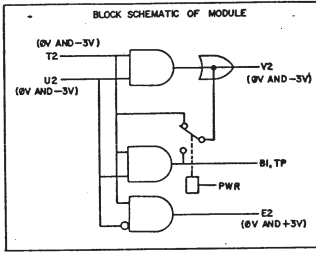
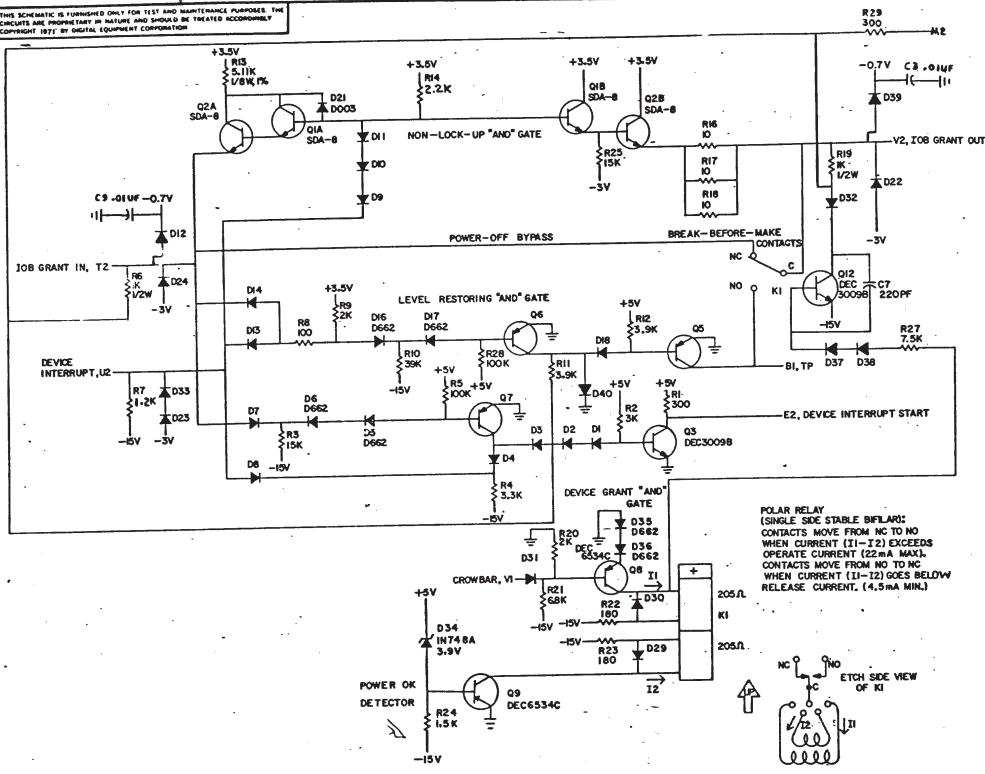


THIS SCHEMATIC IS FURNISHED ONLY FOR TEST AND MAINTENANCE PURPOSES. THE CIRCUITS ARE PROPRIETARY IN NATURE AND SHOULD BE TREATED ACCORDINGLY. COPYRIGHT © 1971 BY DIGITAL EQUIPMENT CORPORATION

01M 50 0
10001 LINE



UNLESS OTHERWISE INDICATED:
TRANSISTORS = DEC4259
RESISTORS = 1/4W, 5%
DIODES = D664
KI = MIDTEK/AEMCO 166-152-1008

42	150309-02	TRANSISTOR DEC 6531G	2
41	1301423	RES. 6.8K 1/4W 5%	1
39	13CC351	RES. 1.5K 1/4W 5%	1
38	1301322	RES. 180 1/4W 5%	2
36	1100121	DIODE 1N748A 3.7V	1
35	9008337-03	HANDLE, FLIP CHIP - WHITE	1
34	9006732	EYELET 8054-7	2
33	121093-0	RELAY, MIDTEK	1
32	1505321	TRANSISTOR 2N4258	8
31	1503100	TRANSISTOR DEC 3009B	2
30	1502105	TRANSISTOR 1DA-8	2
29	1304854	RES. 5.11K, 1/8W, 1% MF	1
28	1301320	RES. 1.2K, 1/4W, 5%	2
27	1302514	RES. 39K, 1/4W, 5%	1
26	1302466	RES. 100K, 1/4W, 5%	1
25	1302388	RES. 2K, 1/4W, 5%	2
24	1301890	RES. 560, 1/4W, 5%	8
23	1300444	RES. 3.9K, 1/4W, 5%	2
22	1301425	RES. 300, 1/4W, 5%	2
21	1301422	RES. 2.5K, 1/4W 5%	1
20	1301317	RES. 10, 1/4W, 5%	3
19	1300496	RES. 15K, 1/4W, 5%	2
18	1302468	RES. 100K, 1/4W, 5%	1
17	1300439	RES. 3.3K, 1/4W, 5%	1
16	1300432	RES. 3K, 1/4W, 5%	1
15	1300417	RES. 2.2K, 1/4W, 5%	1
14	1300364	RES. 1K, 1/4W, 5%	2
12	1000021	CAP. 220 PF, 100V, 8%	1
11	1300229	RES. 100, 1/4W, 5%	1
10	1100114	DICOD DE64	27
9	1100113	DICOD DE62	10
8	1100100	DICOD D003	1
7	1004813	CAP. 10UF, 20V, 10% E, TANT	1
6	1001610	CAP. .01UF, 100V, 20% DISC	5
5	1000076	CAP. 39UF, 10V, 10% E, TANT	2
4	5009407	ETCHED CIRCUIT BOARD	1
3	R-FI-W106-0-6	MODULE BCD HISTORY	
2	C-AM-W106-0-5	ASSY/DRILLING HOLE LAYOUT	
1	K-CC-1106-0-4	X-Y COORDINATE HOLE LOCATION	
DEC	DEC PART NO.	DESCRIPTION	QTY.

PARTS LIST

REV	DATE	BY	CHKD
1	11/17/70	WALTON	WALTON
2	12/1/70	WALTON	WALTON
3	12/1/70	WALTON	WALTON
4	12/1/70	WALTON	WALTON
5	12/1/70	WALTON	WALTON
6	12/1/70	WALTON	WALTON
7	12/1/70	WALTON	WALTON
8	12/1/70	WALTON	WALTON
9	12/1/70	WALTON	WALTON
10	12/1/70	WALTON	WALTON

DEC	ELM	DEC	ELM
DEC	ELM	DEC	ELM
DEC	ELM	DEC	ELM
DEC	ELM	DEC	ELM
DEC	ELM	DEC	ELM
DEC	ELM	DEC	ELM
DEC	ELM	DEC	ELM
DEC	ELM	DEC	ELM
DEC	ELM	DEC	ELM
DEC	ELM	DEC	ELM
DEC	ELM	DEC	ELM

DEC	ELM	DEC	ELM
DEC	ELM	DEC	ELM
DEC	ELM	DEC	ELM
DEC	ELM	DEC	ELM
DEC	ELM	DEC	ELM
DEC	ELM	DEC	ELM
DEC	ELM	DEC	ELM
DEC	ELM	DEC	ELM
DEC	ELM	DEC	ELM
DEC	ELM	DEC	ELM
DEC	ELM	DEC	ELM

REV	DATE	BY	CHKD
1	11/17/70	WALTON	WALTON
2	12/1/70	WALTON	WALTON
3	12/1/70	WALTON	WALTON
4	12/1/70	WALTON	WALTON
5	12/1/70	WALTON	WALTON
6	12/1/70	WALTON	WALTON
7	12/1/70	WALTON	WALTON
8	12/1/70	WALTON	WALTON
9	12/1/70	WALTON	WALTON
10	12/1/70	WALTON	WALTON

DEC FORM NO. 100 100