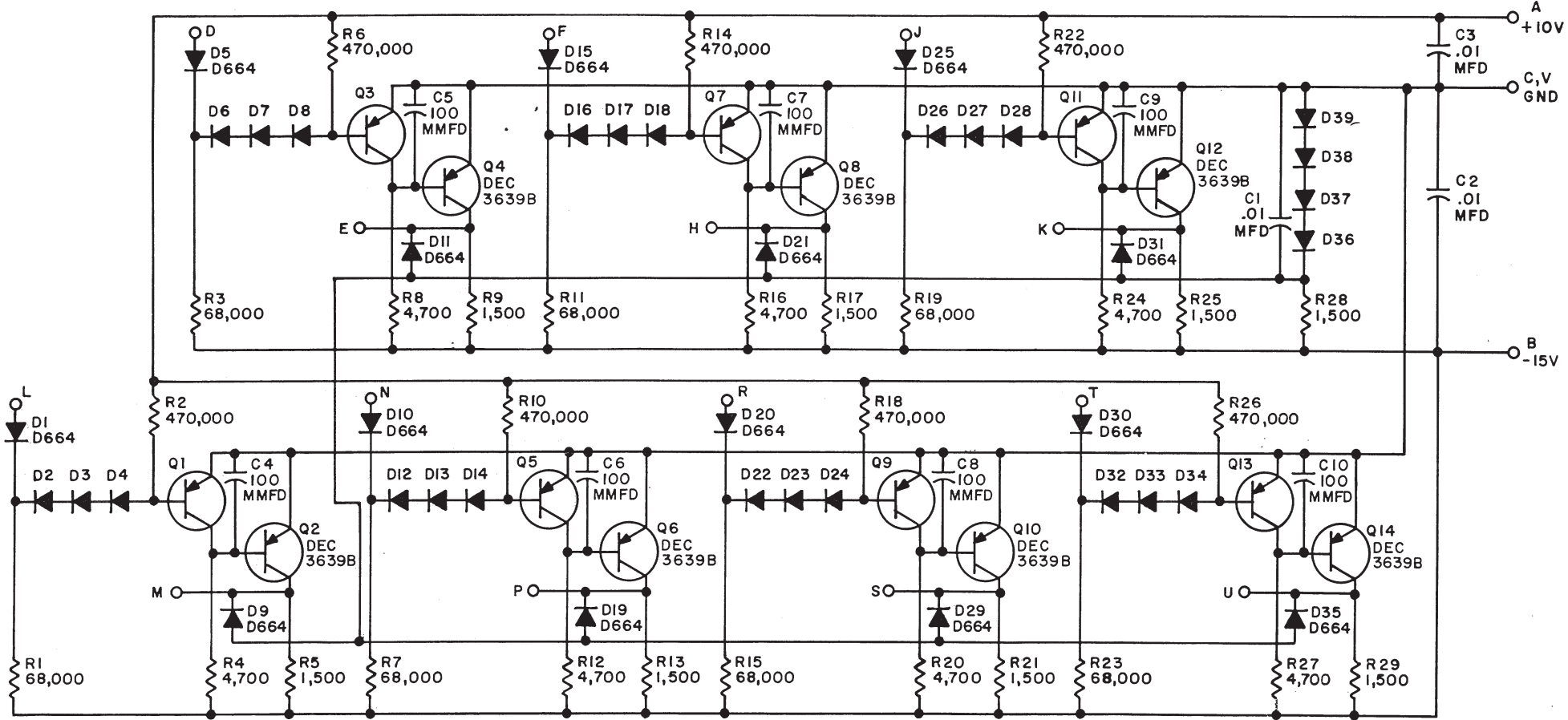


REV. B  
 NUMBER W107-0-1  
 CS CS  
 SIZE B

THIS SCHEMATIC IS FURNISHED ONLY FOR TEST AND MAINTENANCE PURPOSES. THE CIRCUITS ARE PROPRIETARY IN NATURE AND SHOULD BE TREATED ACCORDINGLY. COPYRIGHT 1967 BY DIGITAL EQUIPMENT CORPORATION



UNLESS OTHERWISE INDICATED:  
 RESISTORS ARE 1/4W; 5%  
 DIODES ARE D662  
 TRANSISTORS ARE DEC3639C



REVISIONS CHK CHG NO   REV. 6827   A	DRN <i>M. Waller</i>	DATE 3-13-67	TRANSISTOR & DIODE CONVERSION CHART				<b>digital</b> EQUIPMENT CORPORATION MAYNARD, MASSACHUSETTS	TITLE 1/0 BUS RECEIVER CKT. W107			
	CHK'D <i>P. Silberman</i>	DATE 3/15/67	DEC	EIA	DEC	EIA		SIZE B	CODE CS	NUMBER W107-0-1	REV. A
	ENG <i>K. Boudry</i>	DATE 3/21/67	D662	1N645				PRINTED CIRCUIT REV. B			
	PROD.	DATE	D664	1N3606							
			DEC3639B	2N3639							
			DEC3639C	2N3639							

DEC FORM NO. DRB 102



PINK

DIST. 324 434 435 359