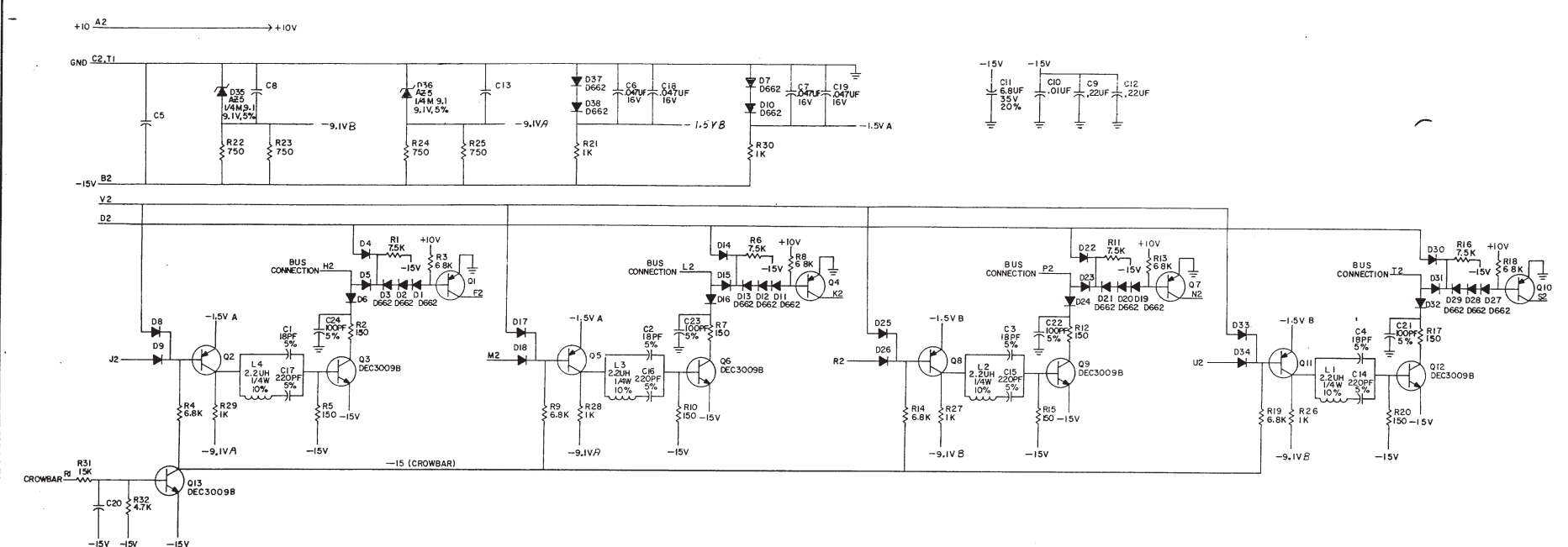
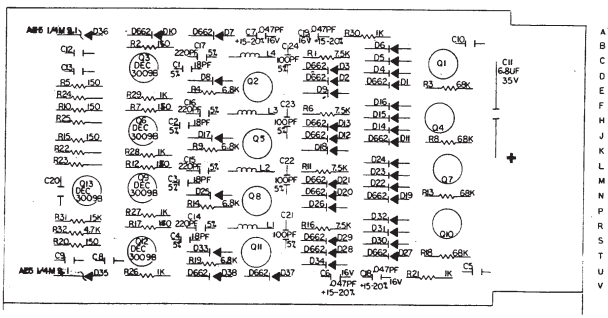


THIS SCHEMATIC IS FURNISHED ONLY FOR TEST AND MAINTENANCE PURPOSES. THE CIRCUITS ARE PROPRIETARY IN NATURE AND SHOULD BE TREATED ACCORDINGLY. COPYRIGHT (1971) BY DIGITAL EQUIPMENT CORPORATION.



UNLESS OTHERWISE INDICATED:  
CAPACITORS ARE .01UF, 100V, 20%  
DIODES ARE D664  
TRANSISTORS ARE DEC4258  
RESISTORS ARE 1/4W, 5%



2P	9008337-03	HANDLE, FLIP CHIP - WHITE	1	13	1109990	DIODE A25 I4M, 9.1	2
27	9006732	RYELET,	2	12	1100114	DIODE D664	20
26	1609756	COIL, CHOKE, 2.2UH, 4%, 10%	4	11	1100113	DIODE D662	16
25	1505321	TRANSISTOR 2N4258	8	10	1009678	CAP. .047PF 16V 15-20% DISC	4
24	1503100	TRANS-ISTOR DEC 3009B	5	9	1002608	CAP. 18PF 100V 5% D.M.	4
23	1301423	RES. 6.8K 4W 5%	4	8	1001610	CAP. .01UF 100V 20% DISC	8
22	1301422	RES. 7.5K 4W 5%	4	7	1000067	CAP. 6.8UF 35V 20% TANT	1
21	1301401	RES. 750 4W 5%	4	6	1000021	CAP. 220PF 100V 5% D.M.	4
20	1301327	RES. 68K 4W 5%	4	5	1000016	CAP. 100PF 100V 5% D.M.	4
19	1301322	RES. 15K 4W 5%	4	4	3009520	ETCHED CIRCUIT BOARD	1
18	1300496	RES. 15K 4W 5%	1	3	2-MH-W132-0-6	MODULE DEC HISTORY	
17	1300447	RES. 4.7K 4W 5%	1	2	2-AH-W132-0-5	ASSY/INSTALLING HOLES LAYOUT	
16	1300365	RES. 1K 4W 5%	6	1	A-CO-W132-0-4	X-Y COORDINATE HOLE LOCATIONS	
15	1300250	RES. 150 4W 5%	8		DEC PART NO.	DESCRIPTION	QTY
14	10K0274	CAP. .22UF, 50V, CERAMIC	2				PARTS LIST

REVISIONS	DATE	BY	APP'D
1	10/20/71	S. LUTER	
2	11/10/71		
3	11/10/71		
4	11/10/71		
5	11/10/71		

TRANSISTOR & DIODE CONVERSION CHART			
DEC	EQV	DEC	EQV
D664	1N3606	DEC3009B	2N3644
D662	1N454	DEC4258	2N4258

digital EQUIPMENT CORPORATION  
BUS TRANSCEIVER  
DATE: 11/10/71  
WORKING DRAWING  
PRINTED CIRCUIT REV: D