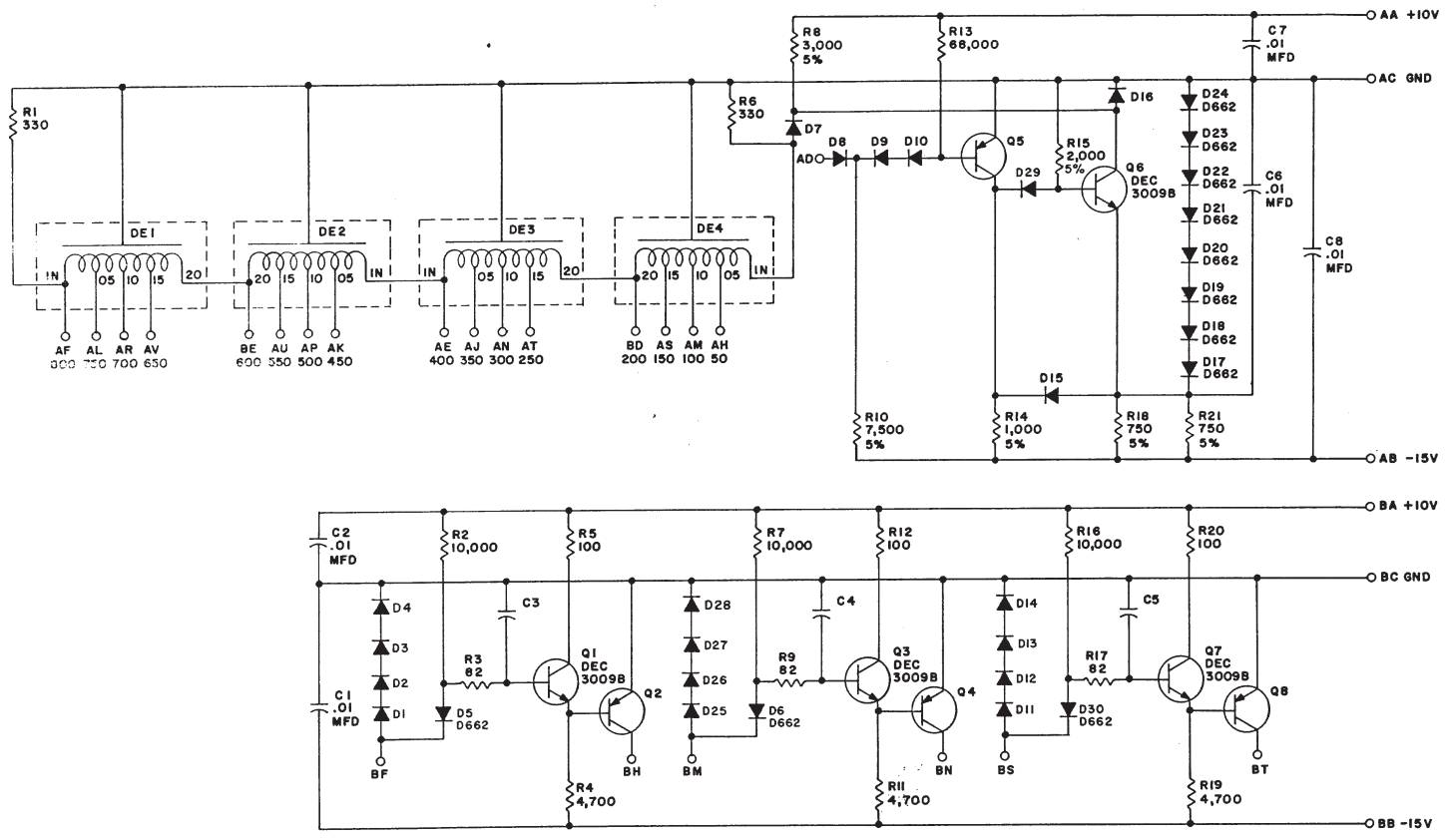


THIS SCHEMATIC IS FURNISHED ONLY FOR TEST AND MAINTENANCE PURPOSES. THE CIRCUITS ARE PROPRIETARY IN NATURE AND SHOULD BE TREATED ACCORDINGLY. COPYRIGHT 1967 BY DIGITAL EQUIPMENT CORPORATION



UNLESS OTHERWISE INDICATED:  
 RESISTORS ARE 1/4W, 10%  
 DIODES ARE D-54  
 TRANSISTORS ARE DEC3639B  
 DE1-DE4 ARE DEC #330-25E-6  
 CAPACITORS ARE 68MMFD

PARTS LIST IS A-PL-W301-0-0

SIZE CODE NUMBER REV. B  
 C CS W301-0-1

REVISIONS	CHK	ENG	NO	REV.
	WAZ		7137	B

DEC FORM NO. DRC 102

DRN.	DATE
M. Waller	1-5-67
CHK'D	DATE
R. Johnson	1/11/67
ENG.	DATE
J. Sullivan	
PROD.	DATE

TRANSISTOR & DIODE CONVERSION CHART			
DEC	EIA	DEC	EIA
DEC3009B	2N3009		
DEC3639B	2N3639		
D662	1N646		
D664	1N3806		

**digital**  
 EQUIPMENT CORPORATION  
 MAYNARD, MASSACHUSETTS

TITLE			
DELAY LINE W301			
SIZE	CODE	NUMBER	REV.
C	CS	W301-0-1	B
PRINTED CIRCUIT REV.			

D107 324 434 435 PINK