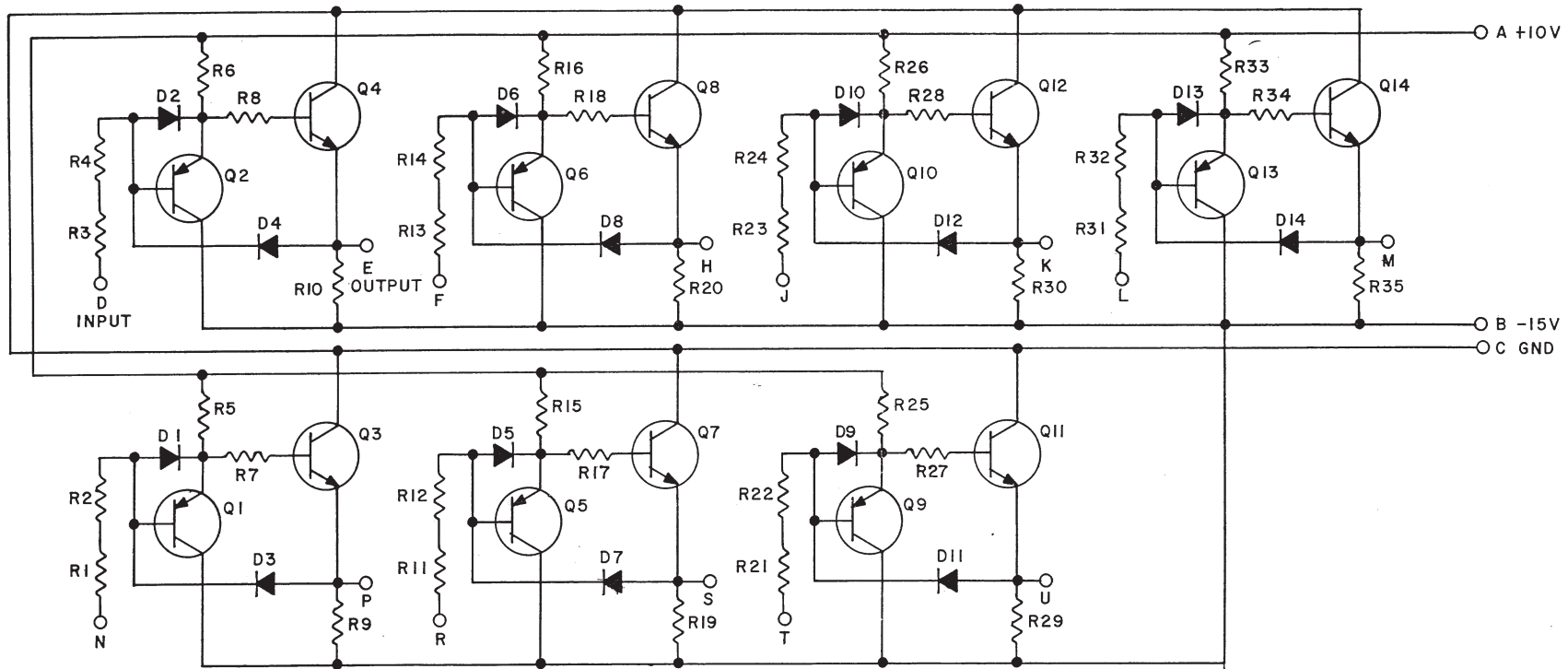


THIS SCHEMATIC IS FURNISHED ONLY FOR TEST AND MAINTENANCE PURPOSES. THE CIRCUITS ARE PROPRIETARY IN NATURE AND SHOULD BE TREATED ACCORDINGLY. COPYRIGHT 1965 BY DIGITAL EQUIPMENT CORPORATION



 A B C D E F G H I J K L M N O P Q R S T U V W X Y Z

| | | |
|-------------------------------|-----------------------|---------------|
| Q3,Q4,Q7,Q8,Q11,Q12,Q14 | TRANSISTOR DEC3009B-S | 1503100 |
| Q1,Q2,Q5,Q6,Q9,Q10,Q13 | TRANSISTOR DEC999-S | 1501836 |
| R9,R10,R19,R20,R29,R30,R35 | RES. 3K 1/4W 5% CC | 1300432 |
| R7,R8,R17,R18,R27,R28,R34 | RES. 100 1/4W 10% CC | 1300231 |
| R5,R6,R15,R16,R25,R26,R33 | RES. 10K 1/4W 10% CC | 1300481 |
| R1-R4,R11-R14,R21-R24,R31,R32 | RES. 1.5K 1/4W 5% CC | 1300391 |
| D1 - D14 | DIODE D664 | 1100114 |
| | PARTS LIST | A-PL-W500-0-0 |
| REFERENCE DESIGNATION | DESCRIPTION | PART NO. |

| | | | |
|-----------|----------------|---------|------|
| REVISIONS | CHK | CHG NO. | REV. |
| | DAW | 4638 | 1 |
| | REV. (B REDR.) | 7166 | B |

| | | | |
|-------|--------------|------|---------|
| DRN. | I. HAHN | DATE | 4-27-65 |
| CHK'D | R. SILVERMAN | DATE | 4-29-65 |
| ENG. | R. DOANE | DATE | 4-27-65 |
| PROD. | | DATE | |

| TRANSISTOR & DIODE CONVERSION CHART | | | |
|-------------------------------------|--------|-----|-----|
| DEC | EIA | DEC | EIA |
| D664 | IN3606 | | |
| DEC999 | MM999 | | |
| DEC3009B | 2N3009 | | |

digital
 EQUIPMENT CORPORATION
 MAYNARD, MASSACHUSETTS

| | | | |
|------------------------------------|------|----------|------|
| TITLE HIGH IMPEDANCE FOLLOWER W500 | | | |
| SIZE | CODE | NUMBER | REV. |
| B | CS | W500-0-1 | B |
| PRINTED CIRCUIT REV. | | | A |

324/434/435