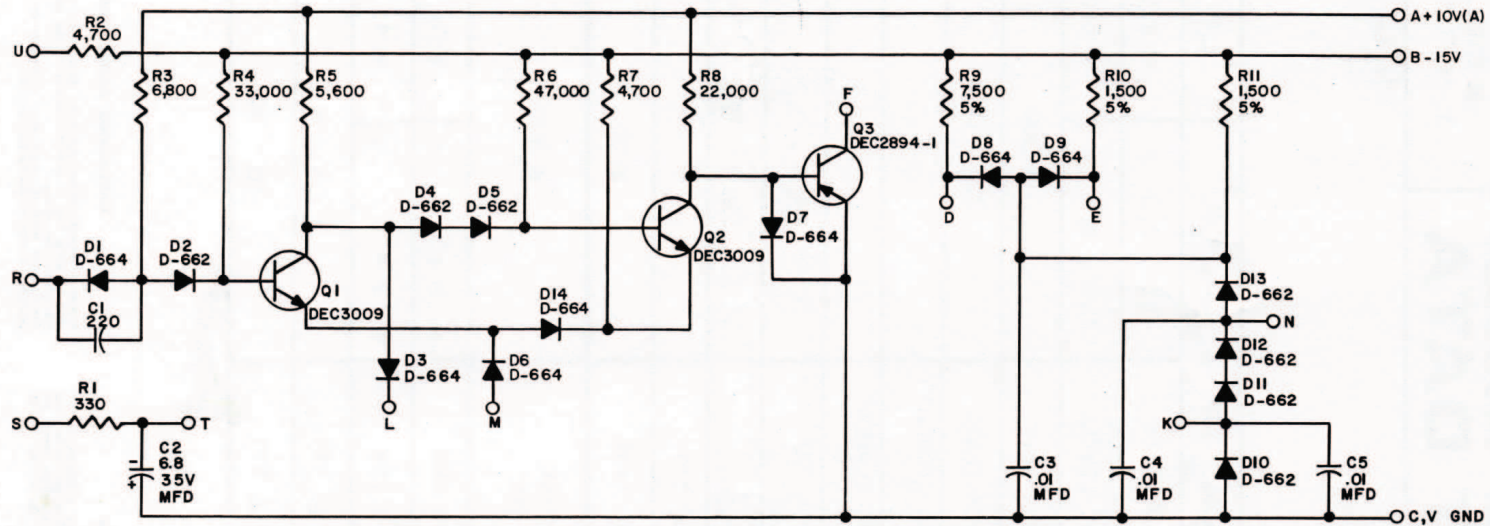


RS-B-W501-3



UNLESS OTHERWISE INDICATED:
RESISTORS ARE 1/4W; 10%
CAPACITORS ARE MMFD

TRANSISTOR & DIODE CONVERSION CHART	
DEC	EIA
DEC 2894-1	DEC 2894-1
D-662	1N645
D-664	1N3606
DEC3009	2N3009

NOTES

THIS SCHEMATIC IS FURNISHED ONLY FOR TEST AND MAINTENANCE PURPOSES. THE CIRCUITS ARE PROPRIETARY IN NATURE AND SHOULD BE TREATED ACCORDINGLY.

COPYRIGHT 1964 BY DIGITAL EQUIPMENT CORPORATION

A B C D E F G H I J K L M N O P Q R S T U V W X Y Z 0 1 2 3 4 5 6 7 8 9 - >		
D	RS-B-W501	3
SCHMITT TRIGGER W501		