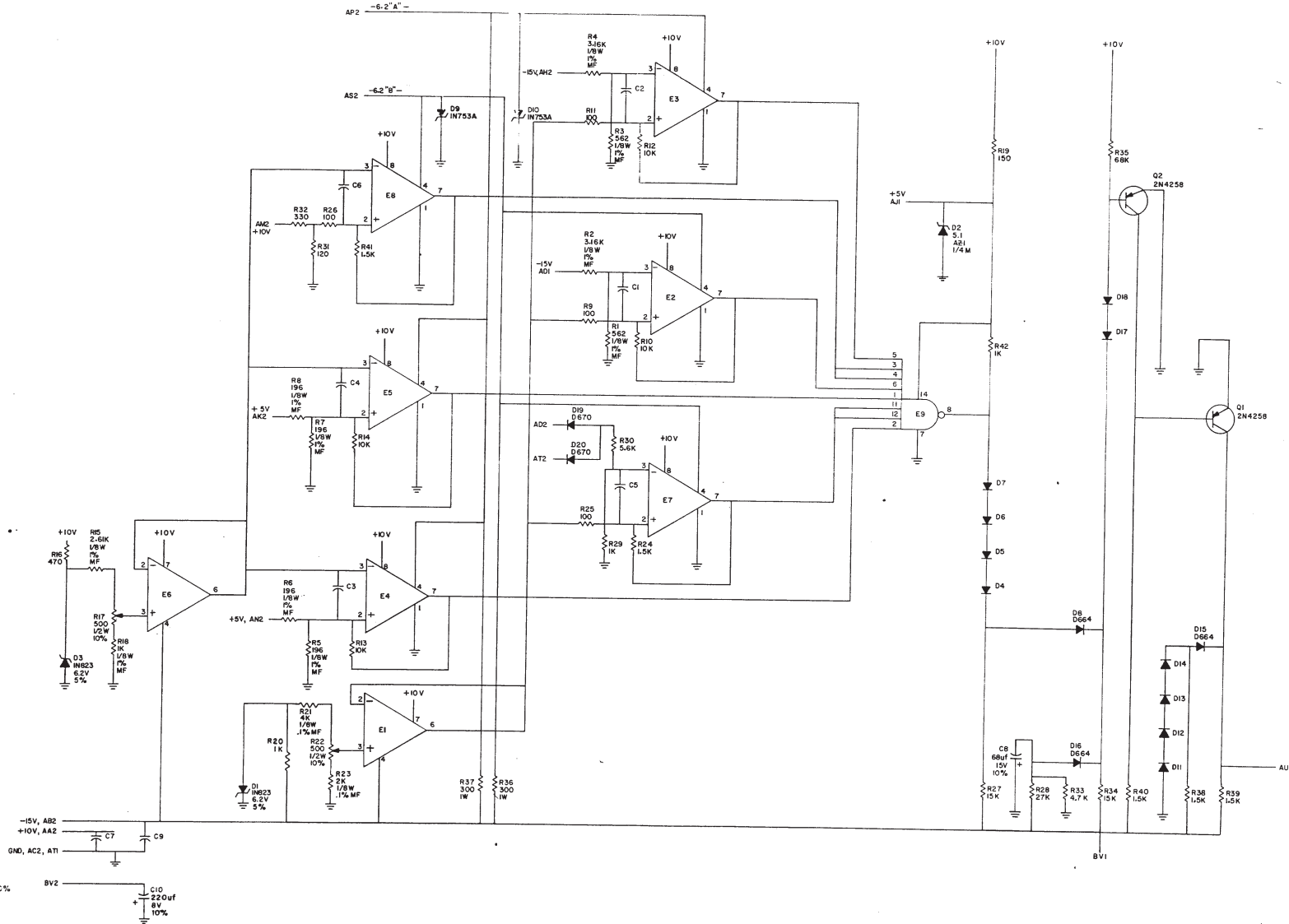


THIS SCHEMATIC IS FURNISHED ONLY FOR TEST AND MAINTENANCE PURPOSES. THE CIRCUITS ARE PROPRIETARY IN NATURE AND SHOULD BE TREATED ACCORDINGLY. COPYRIGHT 1970 BY DIGITAL EQUIPMENT CORPORATION.

V 1-0-LOGM 53 D
22 22003 125



UNLESS OTHERWISE INDICATED:
RESISTORS ARE 1/4W, 5%
CAPACITORS ARE 0.1uF, 100V, 20%
DIODES ARE D662
E2-E5, E7, E8 ARE UA74C
E1, E6 ARE UA74C
E9 IS DEC74NSO

REVISIONS				TRANSISTOR & DIODE CONVERSION CHART				TITLE	
NO.	DATE	BY	CHKD.	DEC	EM	DEC	154	DIGITAL	LOW VOLTAGE
1	01/17/70	W. S. M.	W. S. M.	D664	IN3506	D670	IN3053	EQUIPMENT	DETECTOR W507
2	01/17/70	W. S. M.	W. S. M.	D682	IN645	IN603	SAME	CORPORATION	
3	01/17/70	W. S. M.	W. S. M.	IN3506	SAME	IN753A	SAME	PRINTED CIRCUIT	
4	01/17/70	W. S. M.	W. S. M.	A8174M S1	SAME			REV. A	

W507-001-A