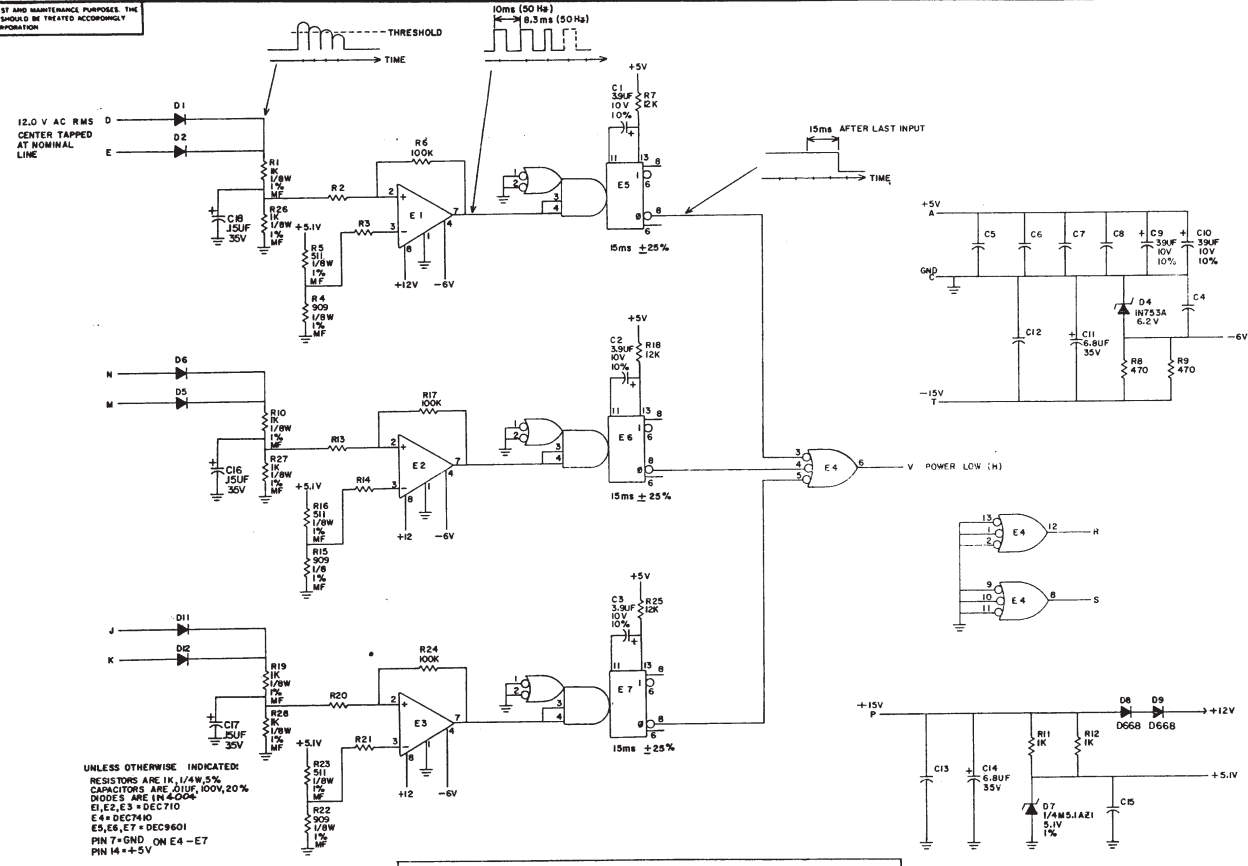
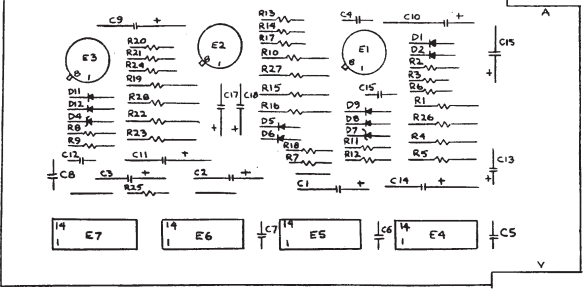


THIS SCHEMATIC IS FURNISHED ONLY FOR TEST AND MAINTENANCE PURPOSES. THE CIRCUITS ARE PROPRIETARY IN NATURE AND SHOULD BE TREATED ACCORDINGLY. COPYRIGHT 1971 BY DIGITAL EQUIPMENT CORPORATION.



UNLESS OTHERWISE INDICATED:  
 RESISTORS ARE 1% 1/4W 5%  
 CAPACITORS ARE .01UF, 100V, 20%  
 DIODES ARE 1N4004  
 E1, E2, E3 = DEC710  
 E4, E5, E6, E7 = DEC9601  
 PIN 7 = GND ON E4-E7  
 PIN 14 = +5V



QTY	DESCRIPTION	QTY	
29	9009185 INSULATED JUMPER	3	
28	1303111 RES. 1K 1/8W 1%	6	
27	1302111 RES. 50Ω 1/8W, 1%	3	
26	1302685 RES. 90Ω 1/8W, 1%	3	
25	1300188 RES. 12K W 5%	3	
24	1002180 CAP. .01UF 35V 20%	3	
23	1102161 DICKE D668	2	
22	9008337-03 HANDLE, FLIP CHIP - WHITE	1	
21	9006732 EYELET #G84-7	2	
20	1909373 I.C. DEC 9601	3	
19	1905620 I.C. DEC 710	3	
18	1905576 I.C. DEC 7410	1	
15	1302466 RES. 100K W 5%	3	
13	1300365 RES. 1K W 5%	8	
12	1300316 RES. 470 W 5%	2	
11	1105871 DICKE W 5.1 A21 5.1V 1X	1	
10	1102421 DICKE 1N753A 6.2V	1	
9	1105796 DICKE 1N4004	6	
8	1001610 CAP. .01UF 100V 20% DISC	8	
7	1000076 CAP. 39UF 10V 10% S.TANT	2	
6	1000067 CAP. 6.8UF 35V 20% S.TANT	2	
5	1000064 CAP. 3.9UF 10V 10% S.TANT	3	
4	5009297 ETCHED CIRCUIT BOARD	1	
3	B-78-W509-0-6 MODULE ECO HISTORY		
2	C-M-W509-0-5 ASSY/DRILLING HOLE LAYOUT		
1	F-CO-W509-0-4 X-Y COORDINATE HOLE LOCATION		
22	NO. DEC PART NO.	DESCRIPTION	QTY

PARTS LIST

REVISIONS

CH	DATE	BY	DESCRIPTION
1	11/19/71	C. Lopez	TRANSISTOR & DIODE CONVERSION CHART
2	12/14/71	J. B. Duda	CHANGE PARTS LIST

DATE: 11/19/71  
 TIME: 10:30 AM  
 NAME: J. B. DUDA  
 SITE: WATSONVILLE

DEC	EIA	DEC	EIA
1N4004	SAME	1N753A	SAME
470	5.1V 1X	6.2V	
3.9UF		6.8UF	
3.9UF		6.8UF	

**digital**

EQUIPMENT CORPORATION

WATSONVILLE, CALIFORNIA

TITLE: 3 PHASE LOW AC VOLTAGE DETECTOR W509

SHEET NO.	TOTAL SHEETS	REV.
D	CS	W509-0-1

PRINTED CIRCUIT REV. F