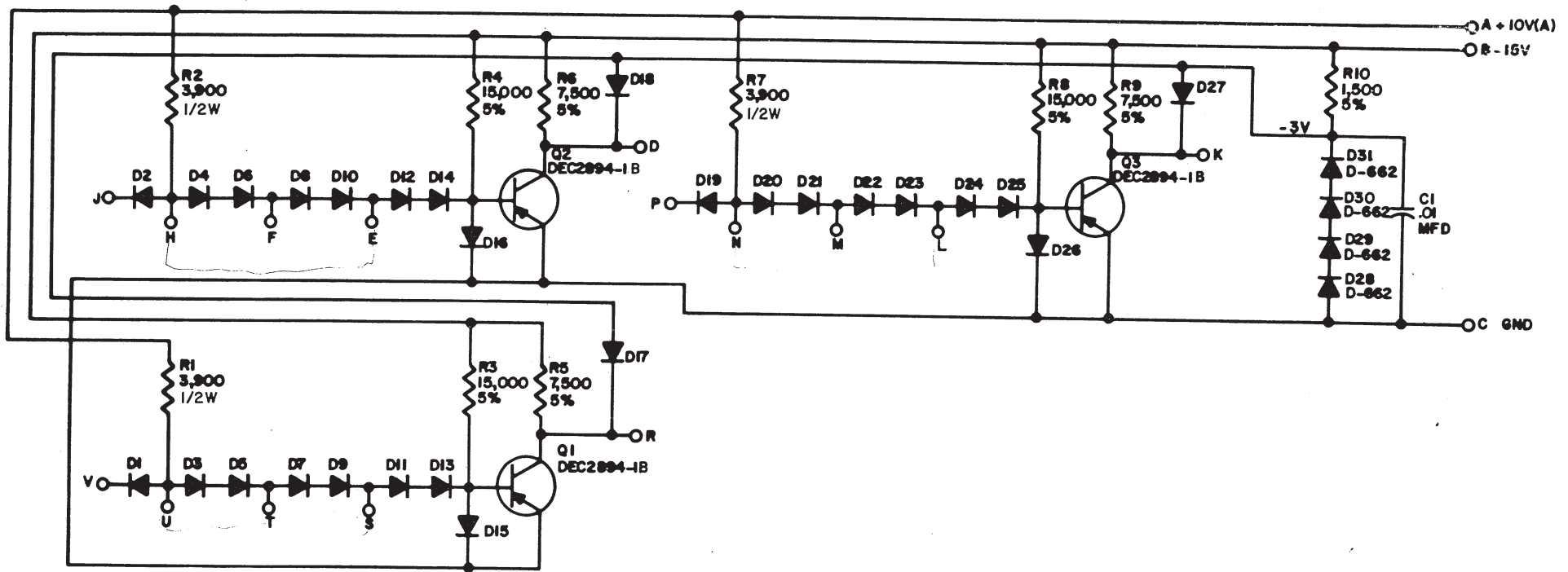


REV. B
 NUMBER W510-0-1
 SIZE CODE B CS

THIS SCHEMATIC IS FURNISHED ONLY FOR TEST AND MAINTENANCE PURPOSES. THE CIRCUITS ARE PROPRIETARY IN NATURE AND SHOULD BE TREATED ACCORDINGLY. COPYRIGHT 1964 BY DIGITAL EQUIPMENT CORPORATION



UNLESS OTHERWISE INDICATED:
 RESISTORS ARE 1/4W; 10%
 DIODES ARE D-664

 A B C D E F G H I J K L M N O P Q R S T U V W X Y Z

REVISIONS CHK CHG NO. REV. REV. & REDR. 5731 A 6463 B		DRN. H. W. PORTER DATE 10-6-64	DATE 10-8-64	TRANSISTOR & DIODE CONVERSION CHART				TITLE POSITIVE LEVEL CONVERTER W510			
ENG. P. SULLIVAN DATE 10-8-64		CHK'D N. PERRYMAN DATE 10-8-64	DATE 10-8-64	DEC DEC2894-1B D662 D664	EIA NONE IN645 IN3606	DEC EIA	DEC EIA	SIZE B	CODE CS	NUMBER W510-0-1	REV. B
PROD. DATE		PROD. DATE		EQUIPMENT CORPORATION MAYNARD, MASSACHUSETTS				PRINTED CIRCUIT REV.		B	