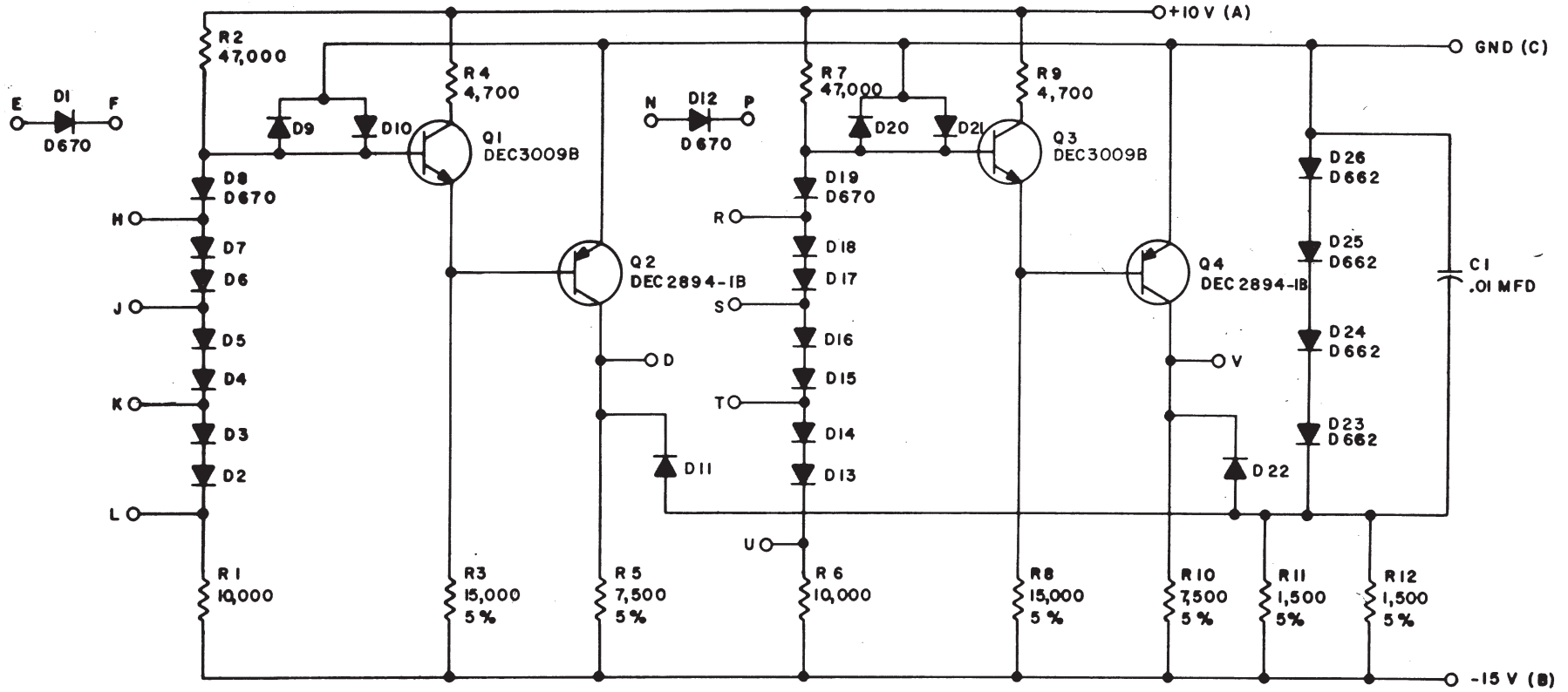


THIS SCHEMATIC IS FURNISHED ONLY FOR TEST AND MAINTENANCE PURPOSES. THE CIRCUITS ARE PROPRIETARY IN NATURE AND SHOULD BE TREATED ACCORDINGLY. COPYRIGHT 1965 BY DIGITAL EQUIPMENT CORPORATION



UNLESS OTHERWISE INDICATED:  
RESISTORS ARE 1/4 W 10%  
DIODES ARE D-664



PARTS LIST IS A-PL-W511-0-0

REVISIONS	CHK CHG NO. REV.	DRN. I. HAHN	DATE 2-10-65	TRANSISTOR & DIODE CONVERSION CHART				TITLE NEGATIVE LEVEL CONVERTER W511				
	REV. REDR. 5744 A		DATE 2-16-65	DEC	EIA	DEC	EIA		SIZE B	CODE CS	NUMBER W511-0-1	REV. B
	REV. 7039 B	CHK'D N. PERRYMAN	DATE 2-16-65	D-662	1N645			digital EQUIPMENT CORPORATION MAYNARD, MASSACHUSETTS	PRINTED CIRCUIT REV. A			
		ENG. D. O'CONNOR	DATE 2-16-65	D-664	1N3606				DIST. 324 434 435 <sup>2</sup>			
		PROD.	DATE	D-670	1N3653							
				DEC3009B	2N3009							
				DEC2894-1B	NONE							