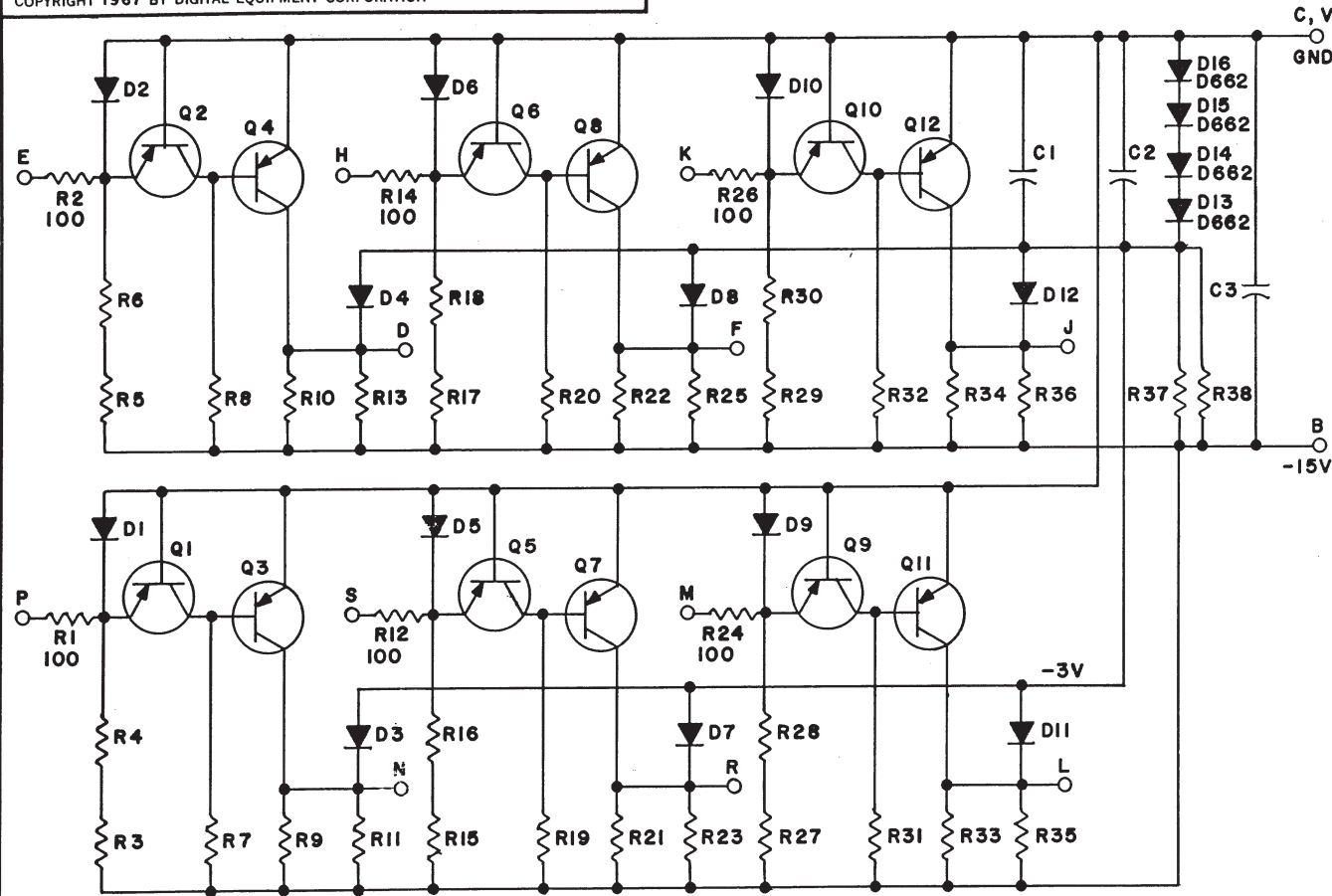


THIS SCHEMATIC IS FURNISHED ONLY FOR TEST AND MAINTENANCE PURPOSES. THE CIRCUITS ARE PROPRIETARY IN NATURE AND SHOULD BE TREATED ACCORDINGLY. COPYRIGHT 1967 BY DIGITAL EQUIPMENT CORPORATION



UNLESS OTHERWISE INDICATED:
 TRANSISTORS ARE 2N4258
 RESISTORS ARE 2,700; 1/4W; 5%
 DIODES ARE D664
 CAPACITORS ARE .01 MFD



REVISIONS CHK CHG NO. REV.	

DRN. <i>M. Haller</i>	DATE 11-9-67
CHK'D <i>[Signature]</i>	DATE 11/10/67
ENG. <i>[Signature]</i>	DATE 11/22/67
PROD. <i>[Signature]</i>	DATE

TRANSISTOR & DIODE CONVERSION CHART			
DEC	EIA	DEC	EIA
2N4258	SAME		
D662	1N645		
D664	1N3606		

digital
 EQUIPMENT CORPORATION
 MAYNARD, MASSACHUSETTS

TITLE POSITIVE LEVEL CONVERTER W514			
SIZE B	CODE CS	NUMBER W514-0-1	REV.
PRINTED CIRCUIT REV.			A