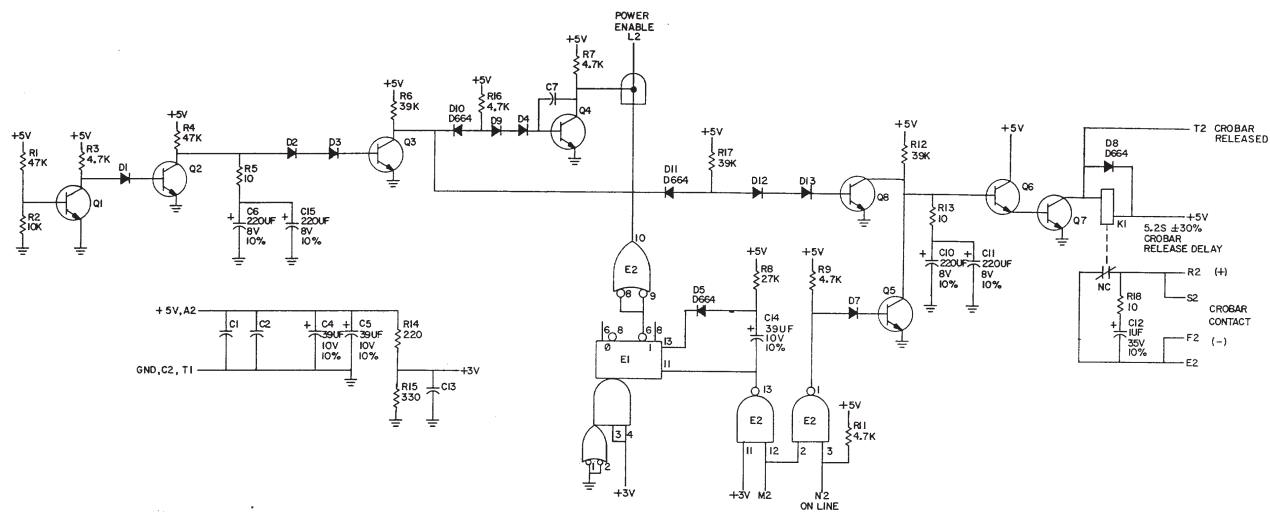
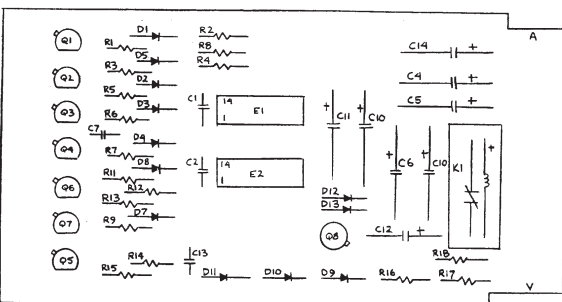


THIS SCHEMATIC IS FURNISHED ONLY FOR TEST AND MAINTENANCE PURPOSES. THE CIRCUITS ARE PROPRIETARY IN NATURE AND SHOULD BE TREATED ACCORDINGLY. COPYRIGHT 1975, BY DIGITAL EQUIPMENT CORPORATION.

1-0-615M SC D
344 1008 1015



UNLESS OTHERWISE INDICATED:
 DIODES = D662
 RESISTORS = 1/4W, 5%
 CAPACITORS = .01UF, 100V, 20%
 TRANSISTORS = DEC3009B
 E1 = DEC9601
 E2 = DEC7401
 PIN 7 = GND
 PIN 14 = +5V



24	9008337-03	HANDLE, FLIP CHIP - WHITE	1
23	9006732	EYELET #684-7	2
22	1909487	I.C. DEC 9601	1
21	1905590	I.C. DEC 7401	1
20	1503100	TRANSISTOR DEC 3009B	8
19	1305346	RES. 27K 1/4W 5%	1
18	1302514	RES. 39K 1/4W 5%	3
17	1302177	RES. 47K 1/4W 5%	2
16	1301317	RES. 10 1/4W 5%	3
15	1300479	RES. 10K 1/4W 5%	1
14	1300447	RES. 4.7K 1/4W 5%	5
13	1300285	RES. 330 1/4W 5%	1
12	1300271	RES. 220 1/4W 5%	1
11	1210597	RELAY	1
10	1100114	DIODE D664	4
9	1100113	DIODE D662	8
8	1005626	CAP. 220UF 8V	4
7	1001776	CAP. 1UF 35V 10% S. TANT	1
6	1001610	CAP. .01UF 100V 20% DISC	4
5	1000076	CAP. .39UF 10V 10% S. TANT	3
4	5009451	ETCHED CIRCUIT BOARD	1
3	M-NH-WS19-0-6	MODULE ECO HISTORY	
2	C-NH-WS19-0-5	ASSY/DRILLING HOLE LAYOUT	
1	K-CO-WS19-0-4	X-Y COORDINATE HOLE LOCATION	
ITEM NO.	DEC PART NO.	DESCRIPTION	QTY.

PARTS LIST

REV	1
DATE	1/2/75
BY	JRM
CHKD	
APP'D	

DATE	1/2/75
BY	JRM
CHKD	
APP'D	

TRANSISTOR & DIODE CONVERSION CHART			
DEC	EM	DEC	EM
DEC3009B	38309	D662	1N645

digital TITLE POWER SEQUENCE AND CROBAR

DECISION NUMBER
 DCS WS19-0-1

PRINTED CIRCUIT REV. E