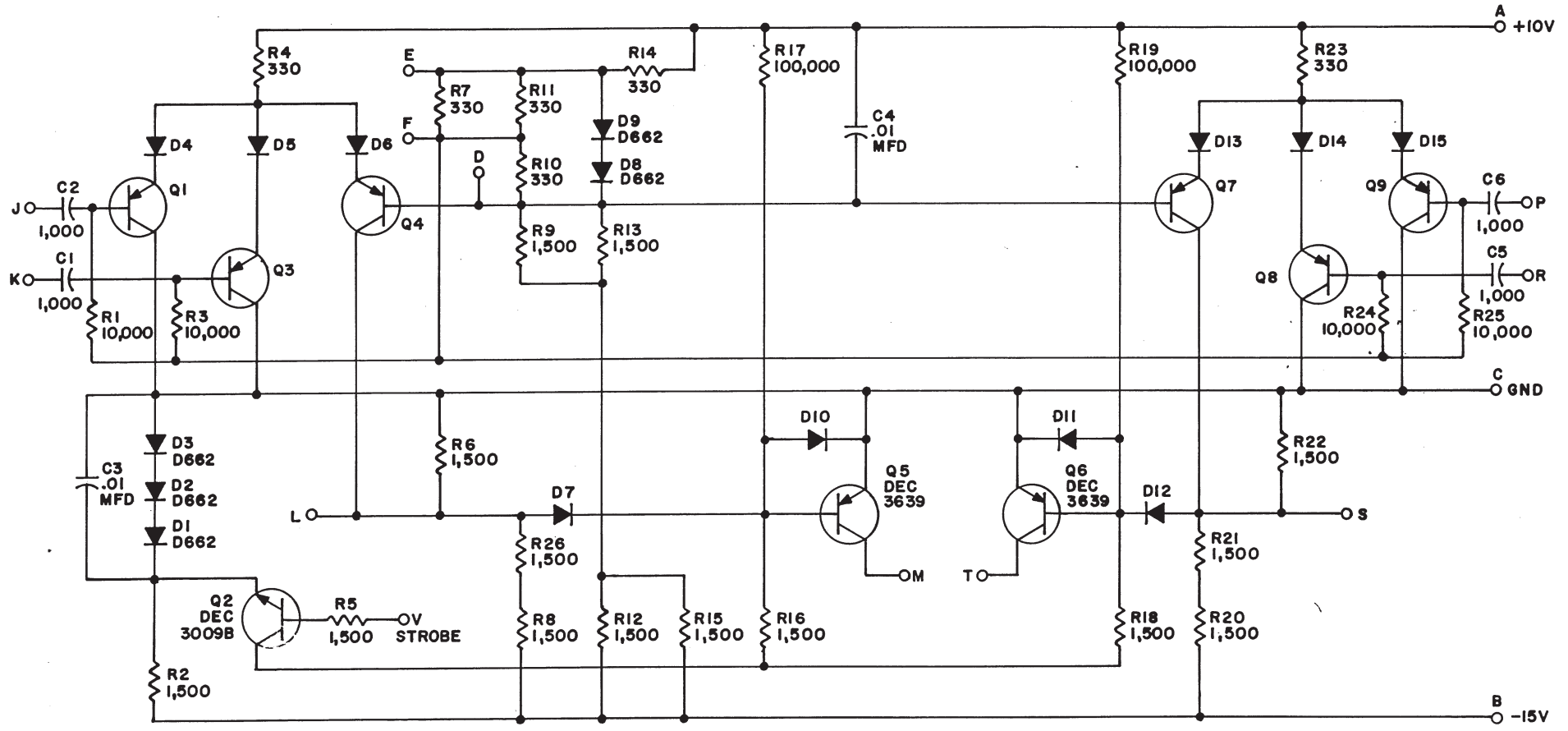
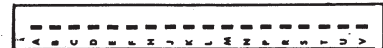


THIS SCHEMATIC IS FURNISHED ONLY FOR TEST AND MAINTENANCE PURPOSES. THE CIRCUITS ARE PROPRIETARY IN NATURE AND SHOULD BE TREATED ACCORDINGLY. COPYRIGHT 1967 BY DIGITAL EQUIPMENT CORPORATION



UNLESS OTHERWISE INDICATED:
 RESISTORS ARE 1/4W; 5%
 DIODES ARE D664
 CAPACITORS ARE MMFD
 TRANSISTORS ARE DEC6534D
 (DEC6534B MAY BE SUBSTITUTED)



REVISIONS CHK CHG NO. REV. 6071 A 6737 B	DRN. <i>M. Waller</i>	DATE 1-12-67	TRANSISTOR & DIODE CONVERSION CHART				digital EQUIPMENT CORPORATION MAYNARD, MASSACHUSETTS	TITLE RECTIFYING SLICER W533		
	CHK'D <i>[Signature]</i>	DATE 1/17/67	DEC DEC3009B	EIA 2N3009	DEC DEC3639	EIA 2N3639		SIZE B	CODE CS	NUMBER W533-0-1
	ENG. <i>[Signature]</i>	DATE 1/18/67	DEC DEC6534D	EIA MP86534						
	PROD.	DATE	DEC D662	EIA IN645						
			DEC D664	EIA IN3606						