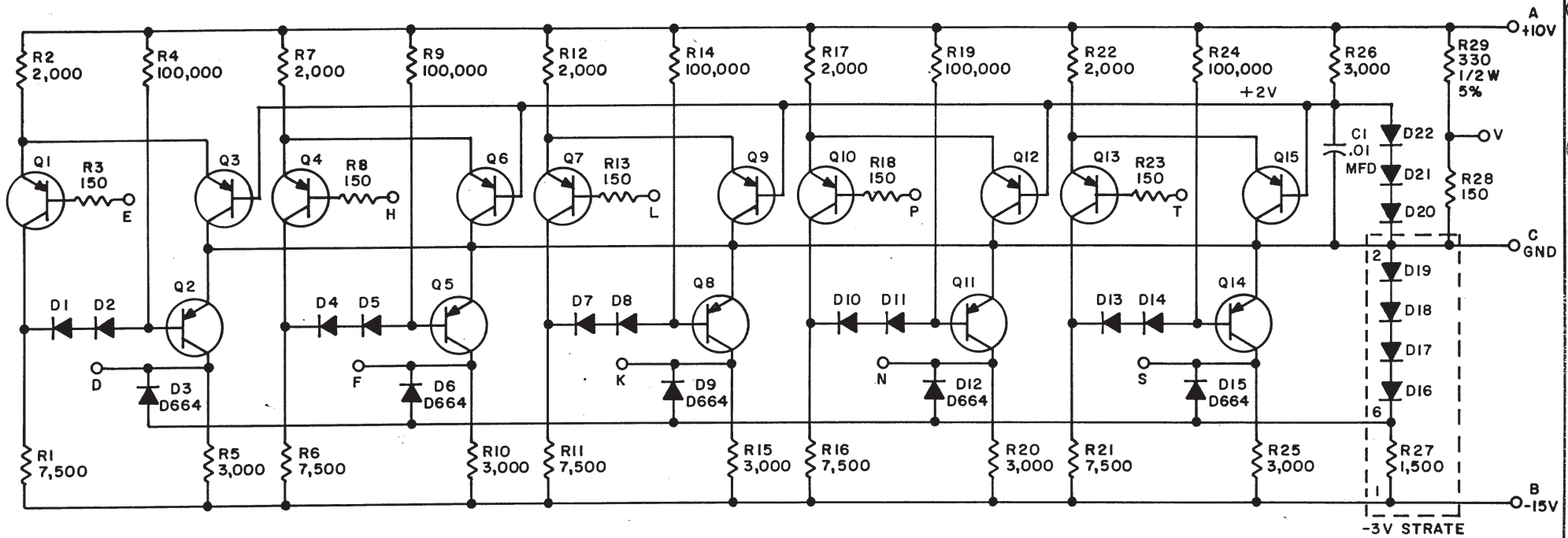


THIS SCHEMATIC IS FURNISHED ONLY FOR TEST AND MAINTENANCE PURPOSES. THE CIRCUITS ARE PROPRIETARY IN NATURE AND SHOULD BE TREATED ACCORDINGLY. COPYRIGHT 1967 BY DIGITAL EQUIPMENT CORPORATION



UNLESS OTHERWISE INDICATED:  
 TRANSISTORS ARE DEC3639B  
 DIODES ARE D662  
 RESISTORS ARE 1/4W, 5%



REVISIONS CHK CHG NO. REV.	DRN. <i>m. Haller</i>	DATE 3-24-67	TRANSISTOR & DIODE CONVERSION CHART				 EQUIPMENT CORPORATION MAYNARD, MASSACHUSETTS	TITLE IBM 360 TO DEC BUS RECEIVER W592			REV.
	CHK'D <i>R. Johnson</i>	DATE 3-24-67	DEC	EIA	DEC	EIA		SIZE B	CODE CS	NUMBER W592-0-1	
	ENGR. <i>V. Ogilvie</i>	DATE 5-24-66	DEC3639B	2N3639				PRINTED CIRCUIT REV.	A		
	PROD.	DATE	D662	IN645							