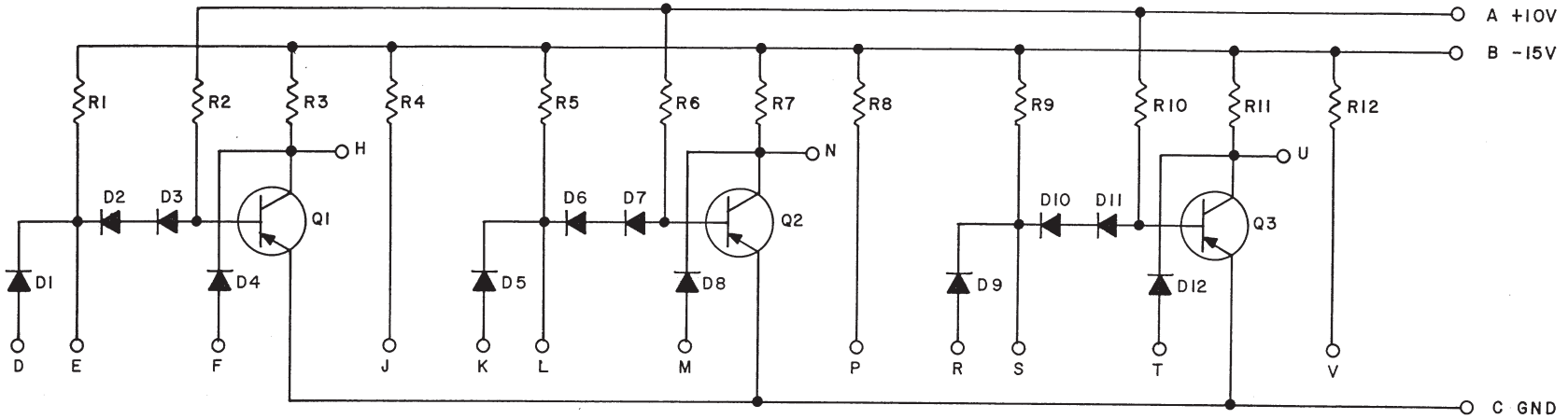


REV. B
 NUMBER W600-0-1
 CS B
 SIZE

THIS SCHEMATIC IS FURNISHED ONLY FOR TEST AND MAINTENANCE PURPOSES. THE CIRCUITS ARE PROPRIETARY IN NATURE AND SHOULD BE TREATED ACCORDINGLY. COPYRIGHT 1964 BY DIGITAL EQUIPMENT CORPORATION



Q1 - Q3	TRANSISTOR DEC-2894-3B.	1503099
R4, R8, R12	RES. 1.8K 1/4W 5% CC	1300398
R3, R7, R11	RES. 7.5K 1/4W 5% CC	1301422
R2, R6, R10	RES. 100K 1/4W 10% CC	1300534
R1, R5, R9	RES. 15K 1/4W 10% CC	1300494
D1, D4, D5, D8, D9, D12	DIODE D664	1100114
D2, D3, D6, D7, D10, D11	DIODE D662	1100113
	PARTS LIST	A-PL-W600-0-0
REFERENCE DESIGNATION	DESCRIPTION	PART NO.

REVISIONS	CHK CHG NO. REV.
	REV. & REDR. 7172 A
	100001 B
	8-4-64
	D. BAKER

DRN.	DATE
A. OUELLETTE	7-30-64
CHK'D	DATE
N. PERRYMAN	8-4-64
ENG.	DATE
B. SCUDNEY	8-4-64
PROD.	DATE

TRANSISTOR & DIODE CONVERSION CHART			
DEC	EIA	DEC	EIA
DEC-6B	NONE		
D662	IN645		
D664	IN3606		

digital
 EQUIPMENT CORPORATION
 MAYNARD, MASSACHUSETTS

TITLE: **NEGATIVE LEVEL AMPLIFIER W610**

SIZE	CODE	NUMBER	REV.
B	CS	W600-0-1	B

PRINTED CIRCUIT REV. A

10-14-64/4 21 RUK