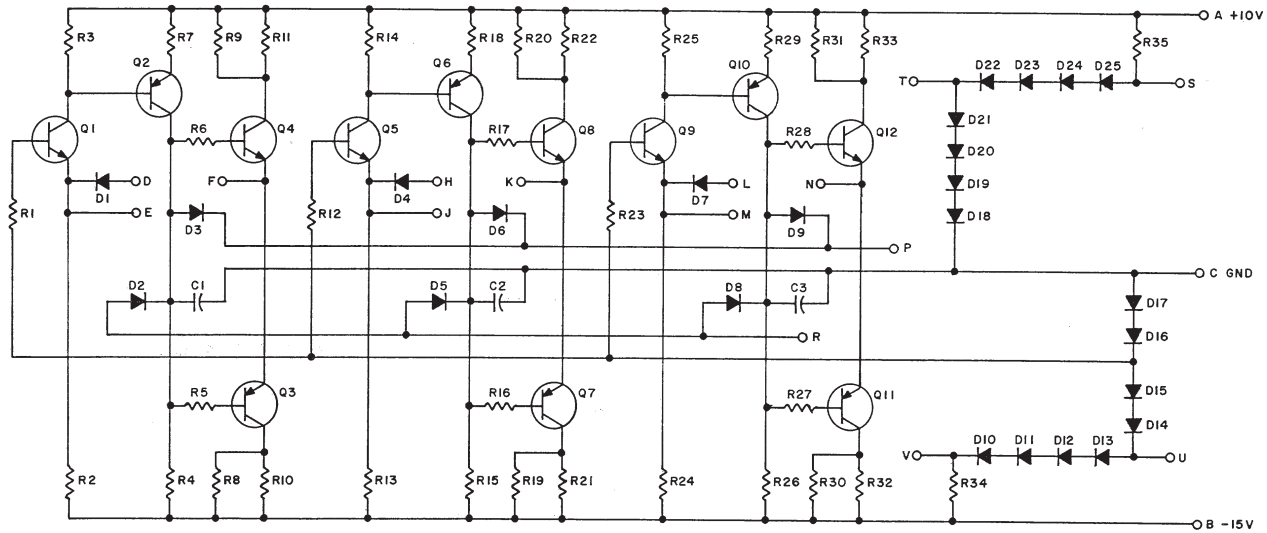


THIS SCHEMATIC IS FURNISHED ONLY FOR TEST AND MAINTENANCE PURPOSES. THE CIRCUITS ARE PROPRIETARY IN NATURE AND SHOULD BE TREATED ACCORDINGLY. COPYRIGHT 1965 BY DIGITAL EQUIPMENT CORPORATION



| | | |
|--------------------------------------|-------------------------|-------------|
| Q2, Q3, Q6, Q7, Q10, Q11 | TRANSISTOR DEC6534D | 1503409 |
| Q1, Q4, Q5, Q8, Q9, Q12 | TRANSISTOR DEC3009B | 1503100 |
| D1 - D9 | DIODE D664 | 1100114 |
| D10 - D25 | DIODE D662 | 1100113 |
| R8, R10, R19, R21, R30, R32, R34 | RES. 750 1/4W 5% C | 1301401 |
| R5, R6, R16, R17, R27, R28 | RES. 100 1/4W 5% C | 1300229 |
| R4, R15, R26 | RES. 7.5K 1/4W 5% C | 1301422 |
| R3, R14, R25 | RES. 3K 1/4W 5% C | 1300432 |
| R2, R13, R24 | RES. 15K 1/4W 5% C | 1300496 |
| R23, R29, R31, R33, R35 | RES. 390 1/4W 5% C | 1300309 |
| R1, R7, R9, R11, R12, R18, R20, R22, | | |
| C1 - C3 | CAP. 27MMF 100V 5% MICA | 1001739 |
| | PARTS LIST | A-PL-W602-0 |
| REFERENCE DESIGNATION | DESCRIPTION | PART NO. |

| TRANSISTOR & DIODE CONVERSION CHART | | PARTS LIST | |
|-------------------------------------|---------|-------------|----------|
| DEC | EIA | DESCRIPTION | PART NO. |
| D662 | 1N645 | | |
| D664 | 1N3606 | | |
| DEC3009B | 2N3009 | | |
| DEC6534D | MP36534 | | |

| | | | |
|------------------------|--|------------------------------------|---------|
| digital | | TITLE BIPOLAR LEVEL AMPLIFIER W602 | |
| EQUIPMENT CORPORATION | | SIZE C | CODE CS |
| MAYNARD, MASSACHUSETTS | | NUMBER 0-1 | REV. A |
| PRINTED CIRCUIT REV | | A | |
| DIST 324 434 | | 52 | |

REVISIONS
CHK'D BY RZ
REV. 7037
A

DRN. I. MAHN DATE 4-26-65
CHK'D R. SILVERMAN DATE 4-27-65
ENG. R. DOANE DATE 4-27-65
PROD. DATE

SIZE CODE NUMBER
C CS W602-0-1
REV. A