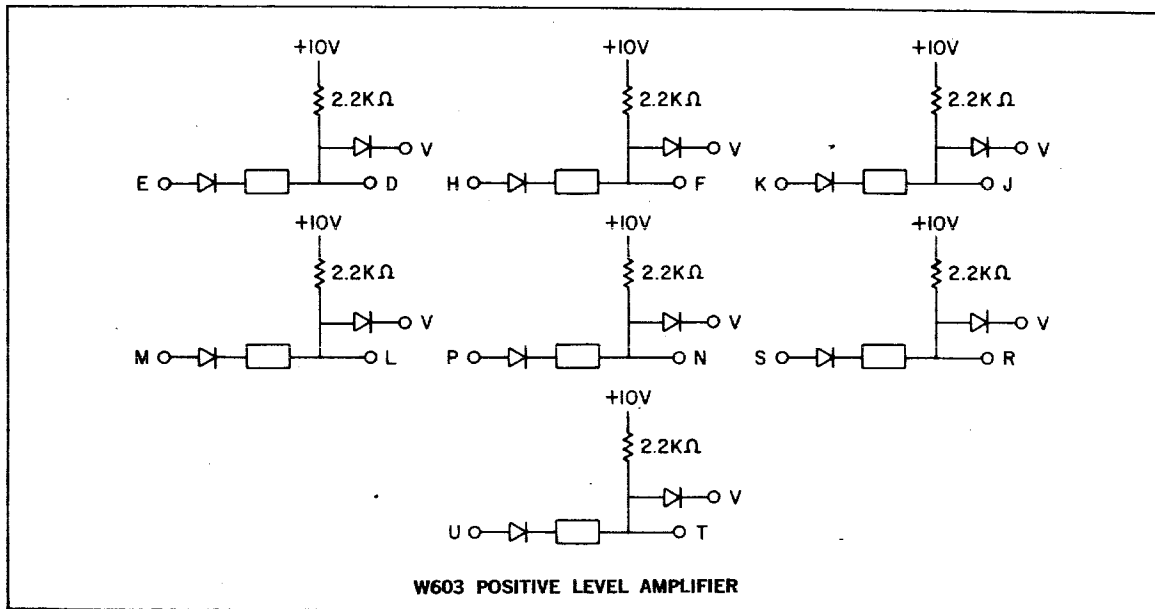


POSITIVE LEVEL AMPLIFIER

TYPE W603

W
SERIES



Positive logic systems such as those using RTL, DTL, or TTL monolithic integrated circuits can be driven from FLIP CHIP systems through the W603. Clamped load resistors at the output of each circuit permit output levels to be adjusted to the type of circuit being driven. Normally the clamp voltage at pin V is provided by the logic supply voltage used with the monolithic circuits. This clamp voltage is common to all seven converters on the module.

INPUTS: 1 ma at ground.

OUTPUTS: Each output can supply up to 5 ma at ground. Drive capability at the positive output voltage is provided by internal 2200-ohm resistors returned to +10 volts. The upper positive level will be no more than 0.8 volts above the clamp voltage.

Grounded inputs provide grounded outputs; negative inputs produce positive outputs. Typical rise and fall times are respectively 100 ns and 200 ns.

POWER: +10(A)/35 ma, -15(B)/7 ma.