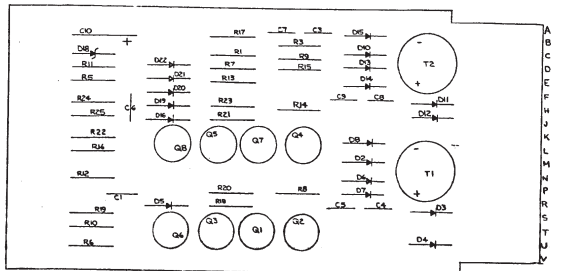
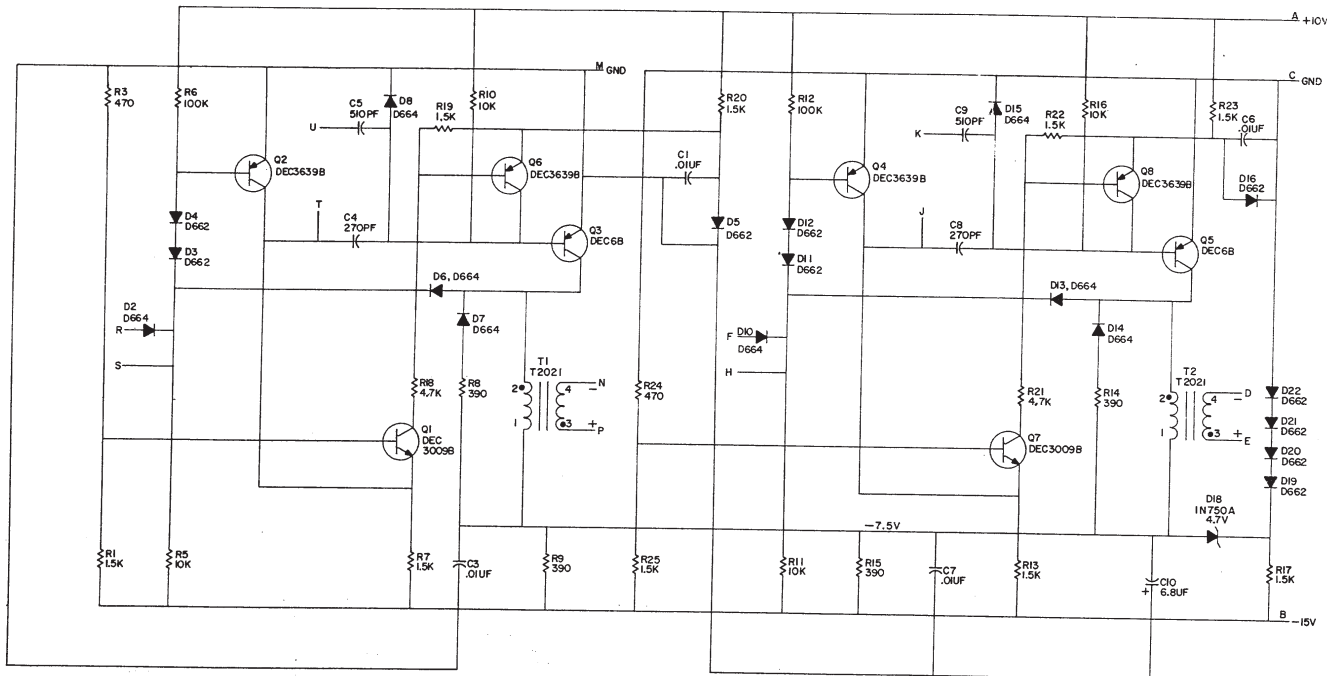


THIS SCHEMATIC IS FURNISHED ONLY FOR TEST AND MAINTENANCE PURPOSES. THE CIRCUITS ARE PROPRIETARY IN NATURE AND SHOULD BE TREATED ACCORDINGLY. COPYRIGHT 1972 BY DIGITAL EQUIPMENT CORPORATION

1-42-1194
3/19/72
RUD/JSK



QTY.	REF. DESIGNATION	DESCRIPTION	PARTS LIST	DEC PART NO.
2		EYELETS		9606132
1		HANDLE, PLIF CHIP - WHITE		900833Y-03
2	T1, T2	TRANSFORMER T2021		5200458
2	Q3, Q5	TRANSISTOR DBC-6B		1509090-01
2	Q1, Q7	TRANSISTOR DBC 3009B-3		1503100
4	Q8, Q4, Q6, Q2	TRANSISTOR DBC 3639B		1502762
2	R3, R2L	RES. 470 kW 5%		1300316
2	R6, R12	RES. 100K kW 5%		1302466
4	R5, R10, R11, R16	RES. 10K kW 10%		1300481
2	R18, R21	RES. 4.7K kW 5%		1300447
9	R1, 7, 13, 17, 19, 20, 22, 23, 25	RES. 1.5K kW 5%		1305391
4	R8, 9, 14, 15	RES. 390 kW 10%		1300310
1	D18	DIODE 1N750A		1100124
10	D2, 6, 7, 8, 10, 13, 14, 15	DIODE D664		1100144
2	D1, 4, 5, 11, 12, 16, 19, 20, 21, 24	DIODE D662		1100111
4	C1, 3, 6, 7	CAP. .01UF 15V 5% D.M.		1002476
1	C1C	CAP. .01UF 100V 20% M.S.C.		1001610
2	C4, C8	CAP. 6.8UF 15V 20% S.TANT		1000067
1		CAP. 270PF 100V 5% D.M.		1000022
1		ETCHED CIRCUIT BOARD		5003608
		MODULE ECO HISTORY		B-PH-W612-YA-6
		ASSY/DRILLING HOLE LAYOUT		D-AH-W612-YA-5
		X-Y COORDINATE HOLE LOCATION		K-CO-W612-YA-4

REVISIONS

REV.	DATE	DESCRIPTION
1	12/1/72	INITIAL DESIGN
2	12/1/72	REVISED
3	12/1/72	REVISED
4	12/1/72	REVISED

TRANSISTOR & DIODE CONVERSION CHART

DEC	EA	DEC	EA
D662	IN645	D664	IN360E
D664	IN360E	IN750A	54M
3639B	2N3638	3009B	2N3638

DIGITAL CORPORATION PULSE AMPLIFIER

DATE CODE: D CS NUMBER: W612-YA-1

PRINTED CIRCUIT REV. []