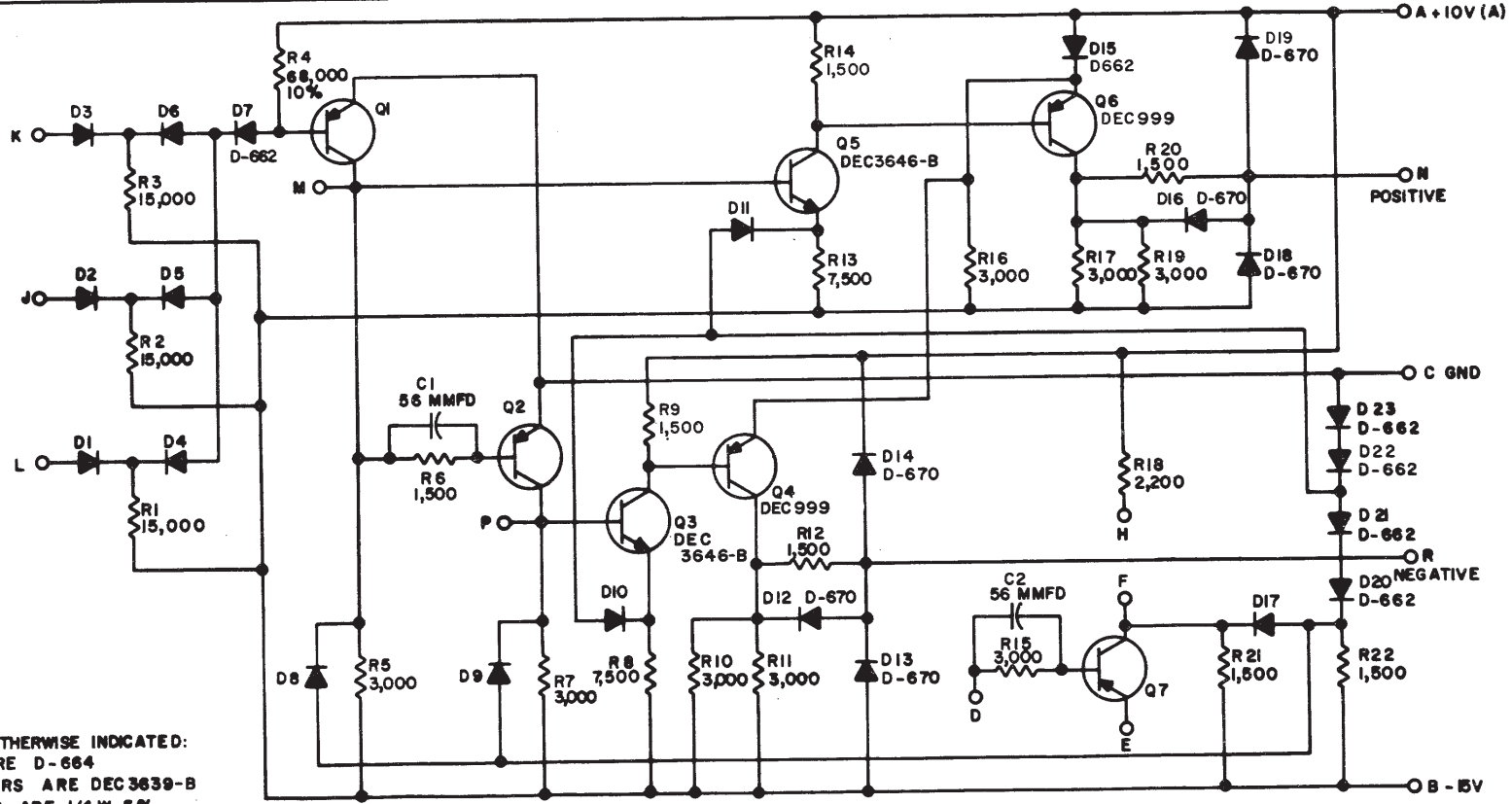


H	1-0-189M	B	CS	W681-0-1
REV.	NUMBER	SIZE	CODE	

THIS SCHEMATIC IS FURNISHED ONLY FOR TEST AND MAINTENANCE PURPOSES. THE CIRCUITS ARE PROPRIETARY IN NATURE AND SHOULD BE TREATED ACCORDINGLY. COPYRIGHT 1965 BY DIGITAL EQUIPMENT CORPORATION



UNLESS OTHERWISE INDICATED:
 DIODES ARE D-664
 TRANSISTORS ARE DEC3639-B
 RESISTORS ARE 1/4 W, 5%

PARTS LIST A-PL-W681-0-0

REV.	CHK	CHG NO.	REV.
2	DAW	5370	
C	REV	5441	
D		5586	
E		5652	
F		5829	
H		7110	

DRN. I. HAHN	DATE 4-16-65
CHK'D R. SILVERMAN	DATE 4-21-65
ENG. R. SOGGE	DATE 4-20-65
PROD.	DATE

TRANSISTOR & DIODE CONVERSION CHART			
DEC		EIA	
DEC3639-B	2N3639-B	D670	IN3653
DEC999	MM999		
DEC3646-B	NONE		
D662	IN645		
D664	IN3606		

digital
 EQUIPMENT CORPORATION
 MAYNARD, MASSACHUSETTS

TITLE SCOPE INTENSIFIER W681			
SIZE B	CODE CS	NUMBER W681-0-1	REV. H
PRINTED CIRCUIT REV. A			

DIST. 5/11/65 PINK