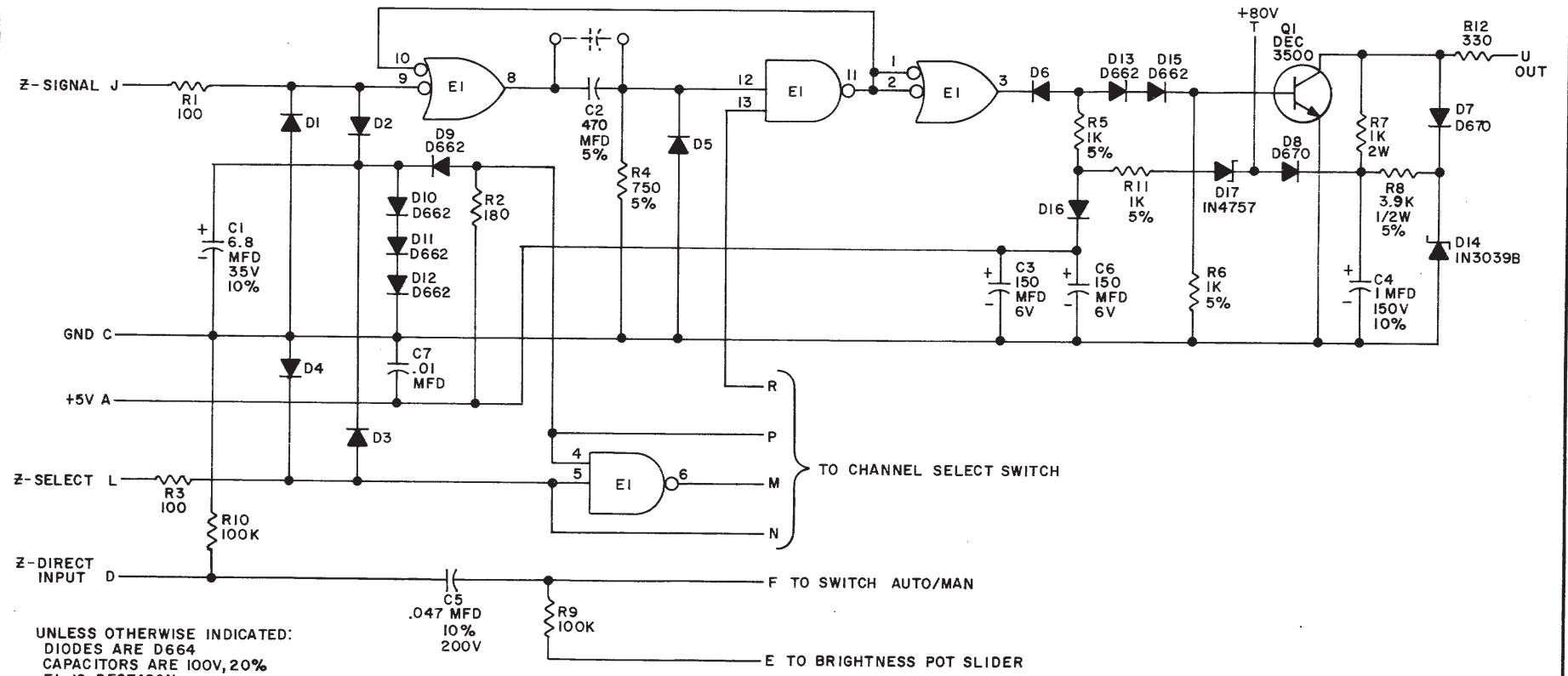


REV. E
 NUMBER W682-0-1
 SIZE CODE B CS
 3000 32E

THIS SCHEMATIC IS FURNISHED ONLY FOR TEST AND MAINTENANCE PURPOSES. THE CIRCUITS ARE PROPRIETARY IN NATURE AND SHOULD BE TREATED ACCORDINGLY. COPYRIGHT 1969 BY DIGITAL EQUIPMENT CORPORATION



UNLESS OTHERWISE INDICATED:
 DIODES ARE D664
 CAPACITORS ARE 100V, 20%
 E1 IS DEC7400N
 PIN 7 ON IC = GND
 PIN 14 ON IC = +5V
 RESISTORS ARE 1/4W, 10%

REVISIONS	CHK	CHG	NO.	REV.
			00001	B
			00002	C
			00003	D
			00004	E

DRN <i>M. Walker</i>	DATE 5-20-69
CHK'D <i>V. D. Hallett</i>	DATE 6/12/69
ENG. <i>W. J. Chlar</i>	DATE 8/17/69
PROD. <i>D. LaRocca</i>	DATE 8-2-69

TRANSISTOR & DIODE CONVERSION CHART			
DEC	EIA	DEC	EIA
D662	1N645	IN4757	SAME
D664	1N3606		
D670	1N3653		
IN3039B	SAME		
DEC3500	2N3500		

digital
 EQUIPMENT CORPORATION
 MAYNARD, MASSACHUSETTS

TITLE INTENSITY AMPLIFIER W682			
SIZE B	CODE CS	NUMBER W682-0-1	REV. E
PRINTED CIRCUIT REV. A			

DEC FORM NO. DRB 102

DIST. 334,434,435 4 PINK