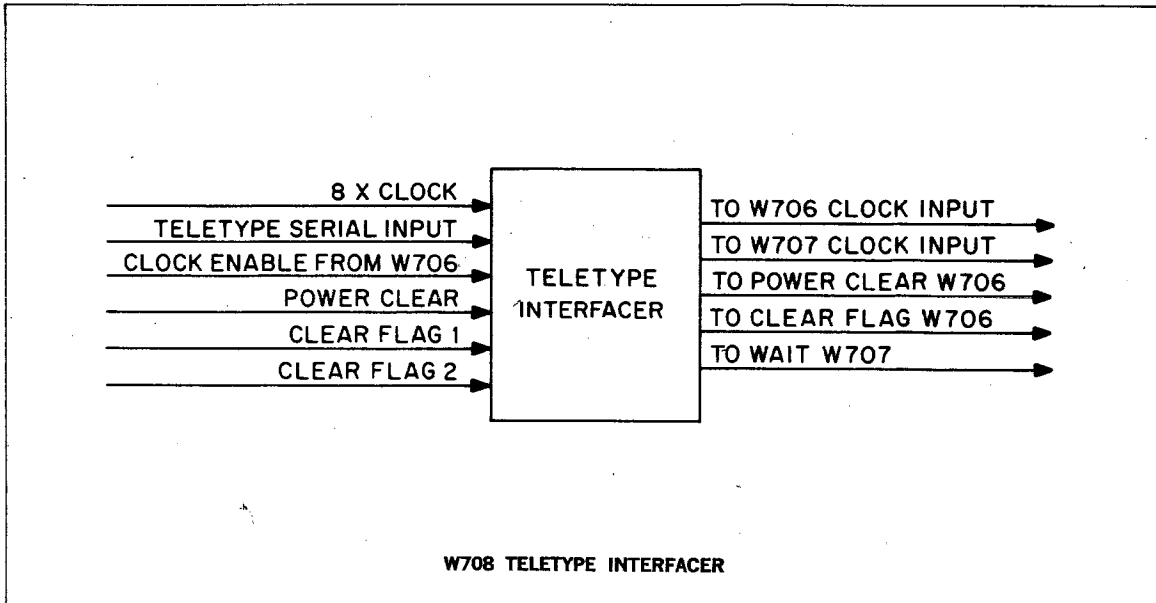


TELETYPE INTERFACER TYPE W708

**W
SERIES**



The W708 provides special gating controls and clock synchronization for Teletype and data communications systems, when used with the W706 and W707 Teletype modules. For additional applications data and more complete specifications on the W708, write for Applications Note AP-W-1.

ADDITIONAL FUNCTIONAL CAPABILITY

SPIKE ELIMINATOR: This gating structure provides one-half unit start pulse-noise rejection so that long noisy teletype lines can interface with the W706.

WAIT: Provides the necessary control gating so that the W706 and W707 can be used in half-duplex operation. This control section is used to hold W707 transmission while the W706 is receiving a character.

CLEAR FLAG CONVERTER: This control provides additional gating so that the W706 flag can be cleared in either of two modes during half-duplex operation.

SINGLE CLOCK CONVERTER: Reduces the number of clocks needed in a W706 and W707 Teletype system from two to one. This control also allows the use of a non-gateable clock such as the R405 with such a system. The frequency of the required clock is eight times the serial transmission frequency. All start-stop synchronization of the W706 clock input is provided.

POWER: -15(B)/25 ma; +3.6 volts/200 ma. This power is available from a W705 or any commercial supply that has an output regulation of $\pm 5\%$.

W708 — \$55.00