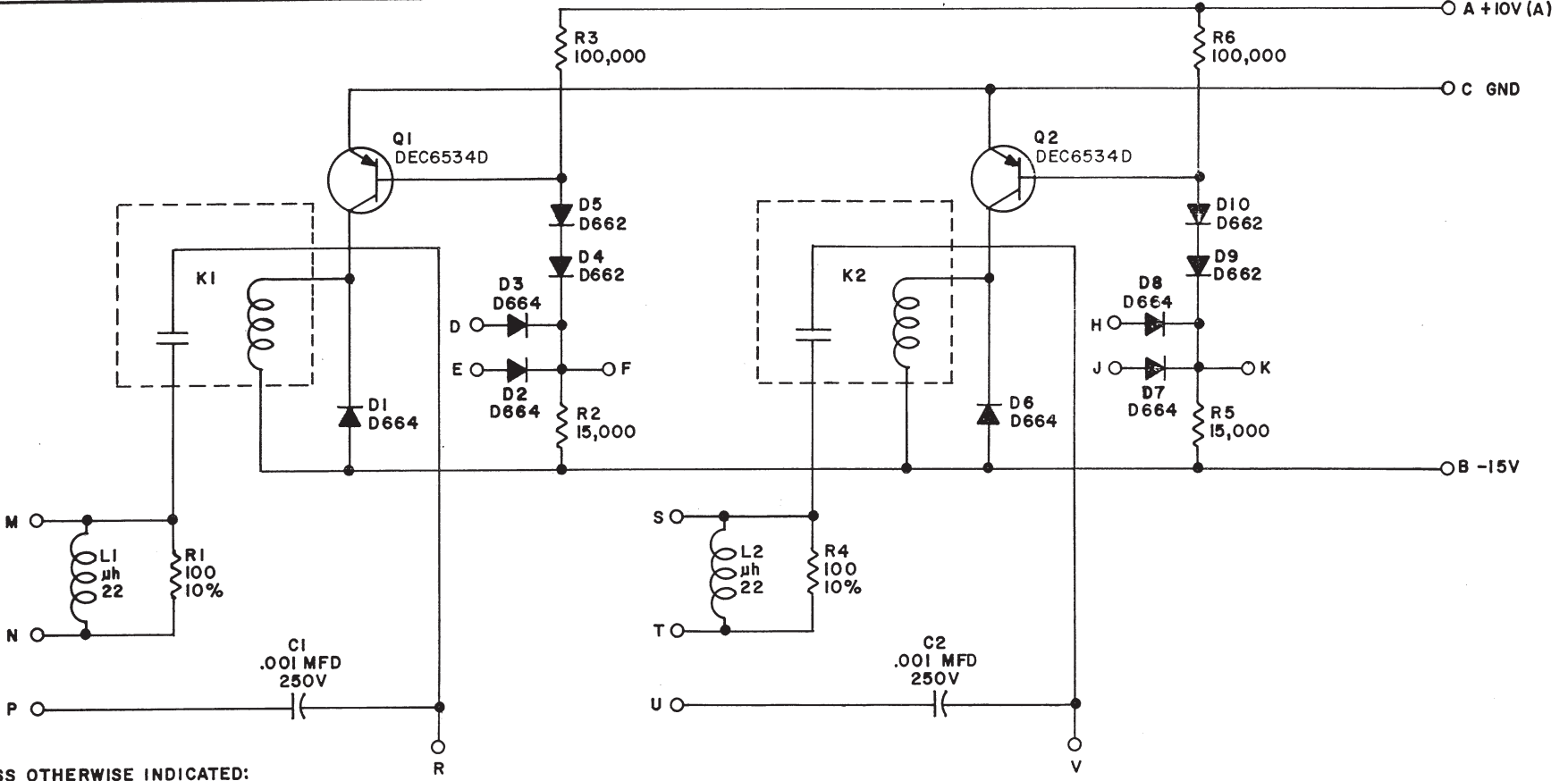


THIS SCHEMATIC IS FURNISHED ONLY FOR TEST AND MAINTENANCE PURPOSES. THE CIRCUITS ARE PROPRIETARY IN NATURE AND SHOULD BE TREATED ACCORDINGLY. COPYRIGHT 1965 BY DIGITAL EQUIPMENT CORPORATION



UNLESS OTHERWISE INDICATED:
 RESISTORS ARE 1/4W, 5%
 K1 & K2 ARE WHEELOCK, 262-2A-X1, 12V DC
 L1 & L2 ARE ESSEX, RFC-L, 10%

 <A B U D L Z V J E Z R A L D>

PARTS LIST A-PL-W800-0-0

REV. NO.	CHK	CHG NO.	REV.
2	DAW	4612	
C	REV. & REDR.	6405	
D		7028	

DRN. H.W. PORTER	DATE 1-14-65
CHK'D N. PERRYMAN	DATE 1-15-65
ENG. D. A. WHITE	DATE 1-15-65
PROD.	DATE

TRANSISTOR & DIODE CONVERSION CHART			
DEC		EIA	
DEC6534D		MPS6534	
D662		1N645	
D664		1N3606	

digital
 EQUIPMENT CORPORATION
 MAYNARD, MASSACHUSETTS

TITLE RELAY W800			
SIZE B	CODE CS	NUMBER W800-0-1	REV. D
PRINTED CIRCUIT REV.			B