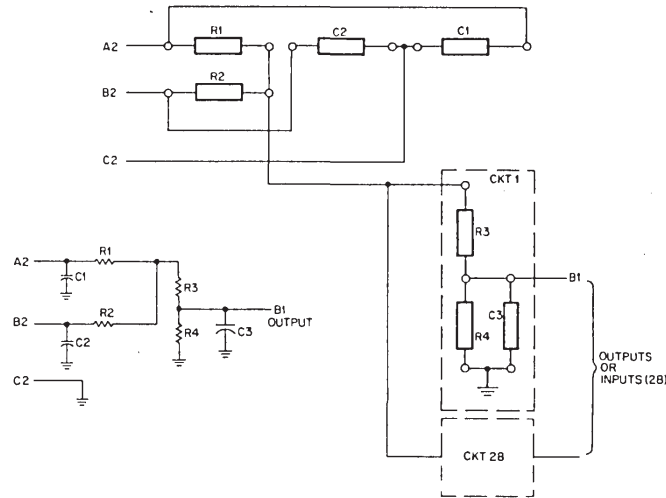


W964 UNIVERSAL TERMINATOR BOARD

ACCESSORY MODULES



Typical Circuit Configuration.

The W964 is a blank, etched and drilled module for mounting components which will provide a variety of termination or voltage source circuits for up to 28 signal pins. Each signal pin may have two components connected to ground (pin C2) and one component connected to a common point as shown in the schematic diagram. The potential of the common point is determined by components which connect it to pin A2 and/or pin B2. The schematic diagram shows the physical layout of this section as well as the electrical connections.

Any components can be mounted on the board provided the physical size is similar to a 1/4-watt resistor or disk capacitor.

The W964 may be used to terminate single lines, for mounting pull-up resistors, for open-collector devices or to provide various output voltages via voltage-divider networks.

Single height, single width.

Current depends on components used.

Pin assignments:

Output/Input (28)	B1, D1, E1, F1, H1, J1, K1, L1, M1, N1, P1, R1, S1 D2, E2, F2, H2, J2, K2, L2, M2, N2, P2, R2, S2, T2, U2, V2
Voltage GND	A2, B2* C2

* In many systems, pin B2 is bussed to -15 V dc.

W964 — \$8.00