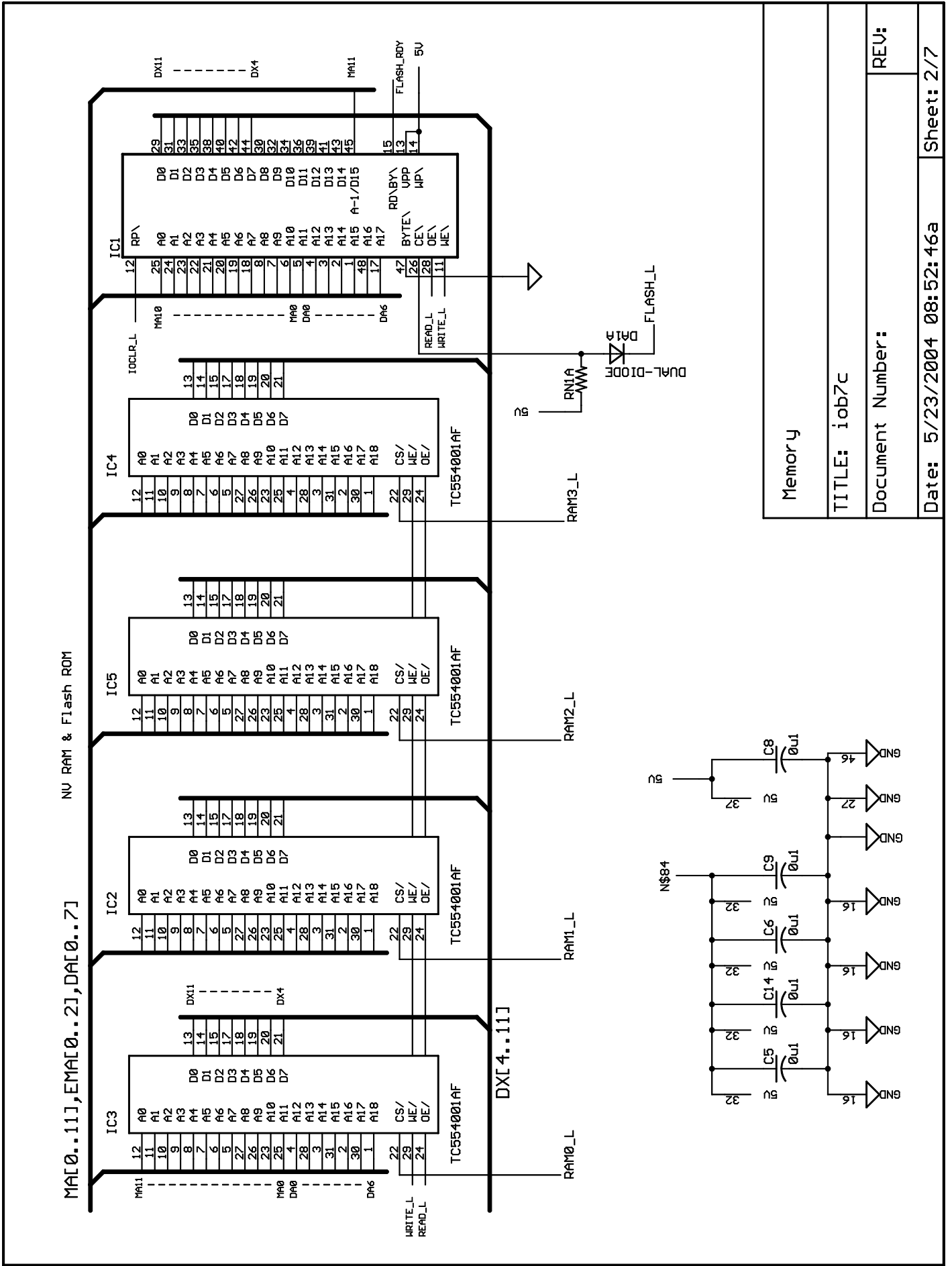
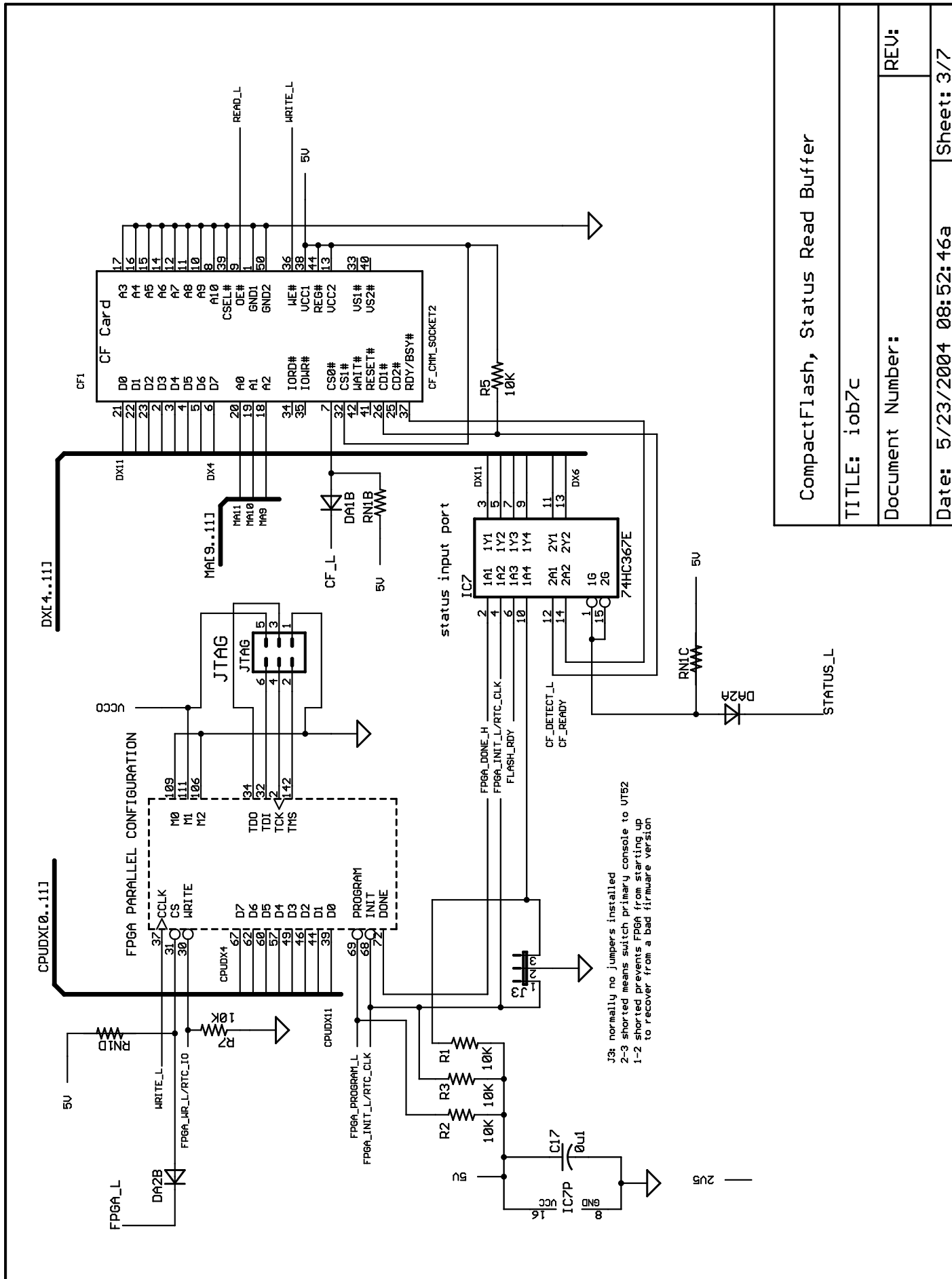


All volatile ICs' supplies are connected to 5V

Bus I/F, Decoding, Power	
TITLE: iob7c	
Document Number:	
Date: 5/23/2004 08:52:46a	Sheet: 1/7
REV:	

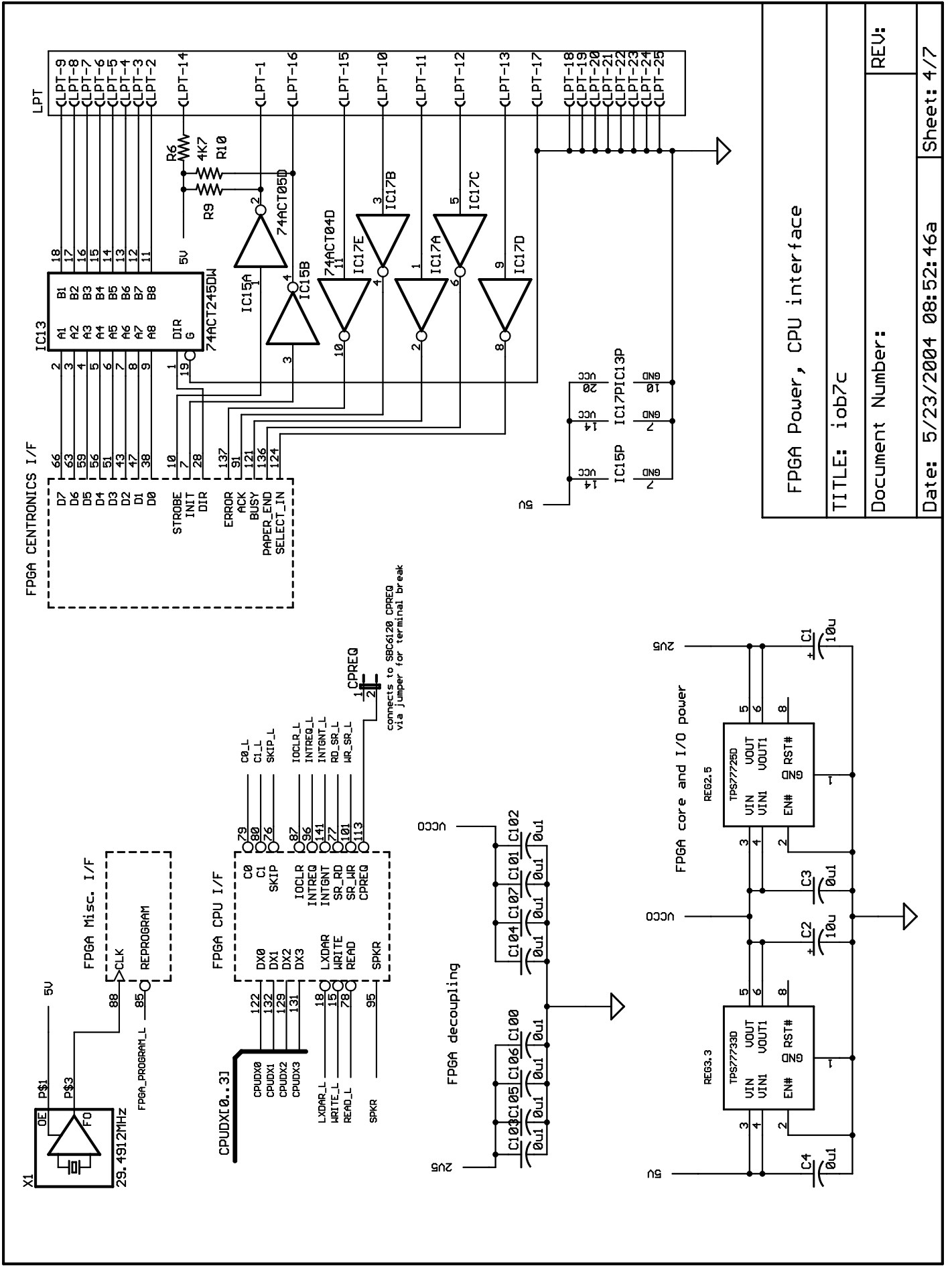


Memory
TITLE: iob7c
Document Number:
REV:
Date: 5/23/2004 08:52:46a
Sheet: 2/7



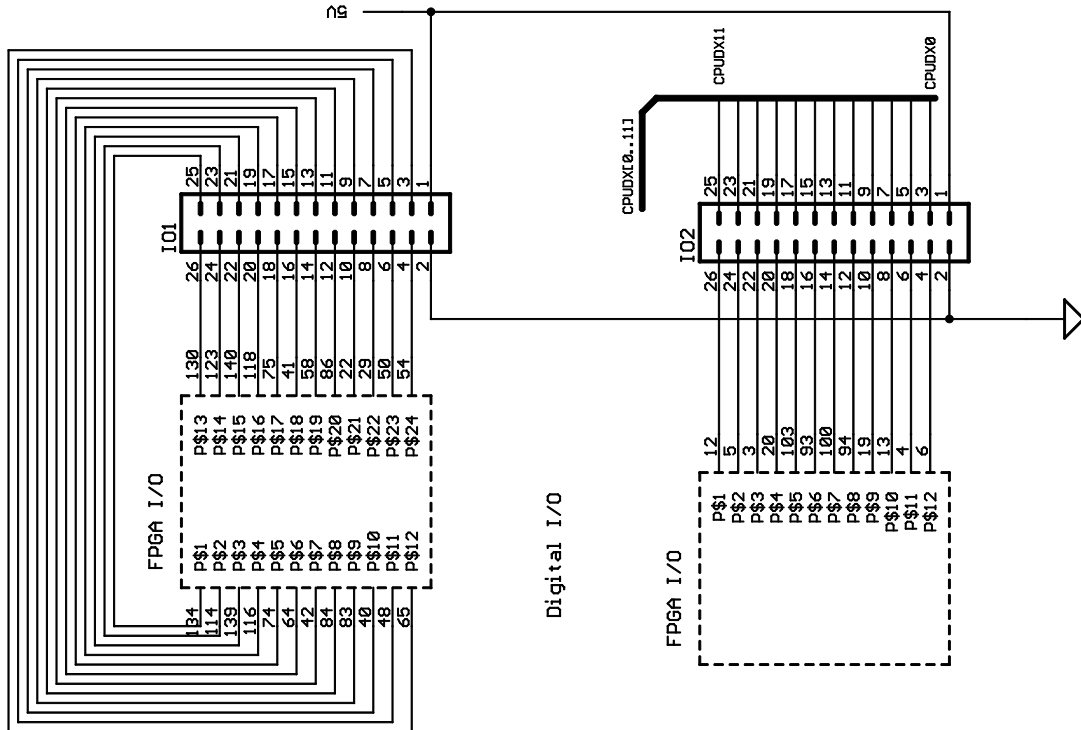
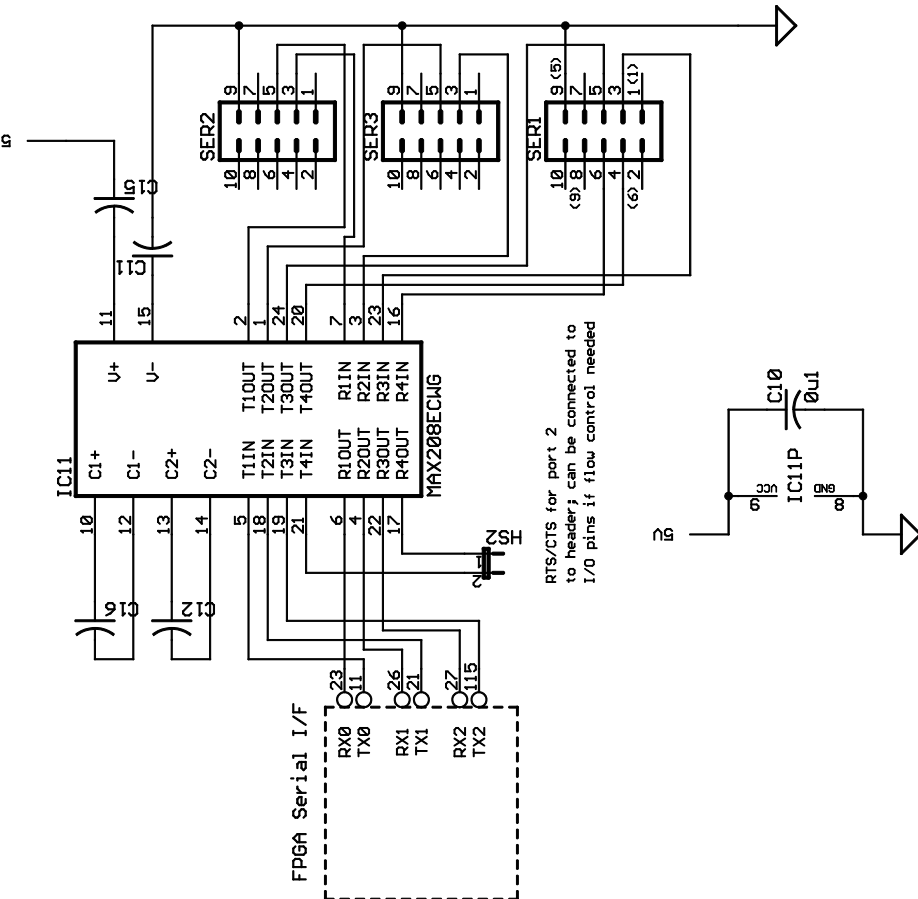
J3: normally no jumpers installed
 2-3 shorted means switch primary console to UT52
 1-2 shorted prevents FPGA from starting up
 to recover from a bad firmware version

CompactFlash, Status Read Buffer	
TITLE: iob7c	
Document Number:	
Date: 5/23/2004 08:52:46a	Sheet: 3/7



FPGA Power, CPU interface	
TITLE: iob7c	
Document Number:	REV:
Date: 5/23/2004 08:52:46a	Sheet: 4/7

Serial ports



Digital I/O

Serial ports, programmable I/O

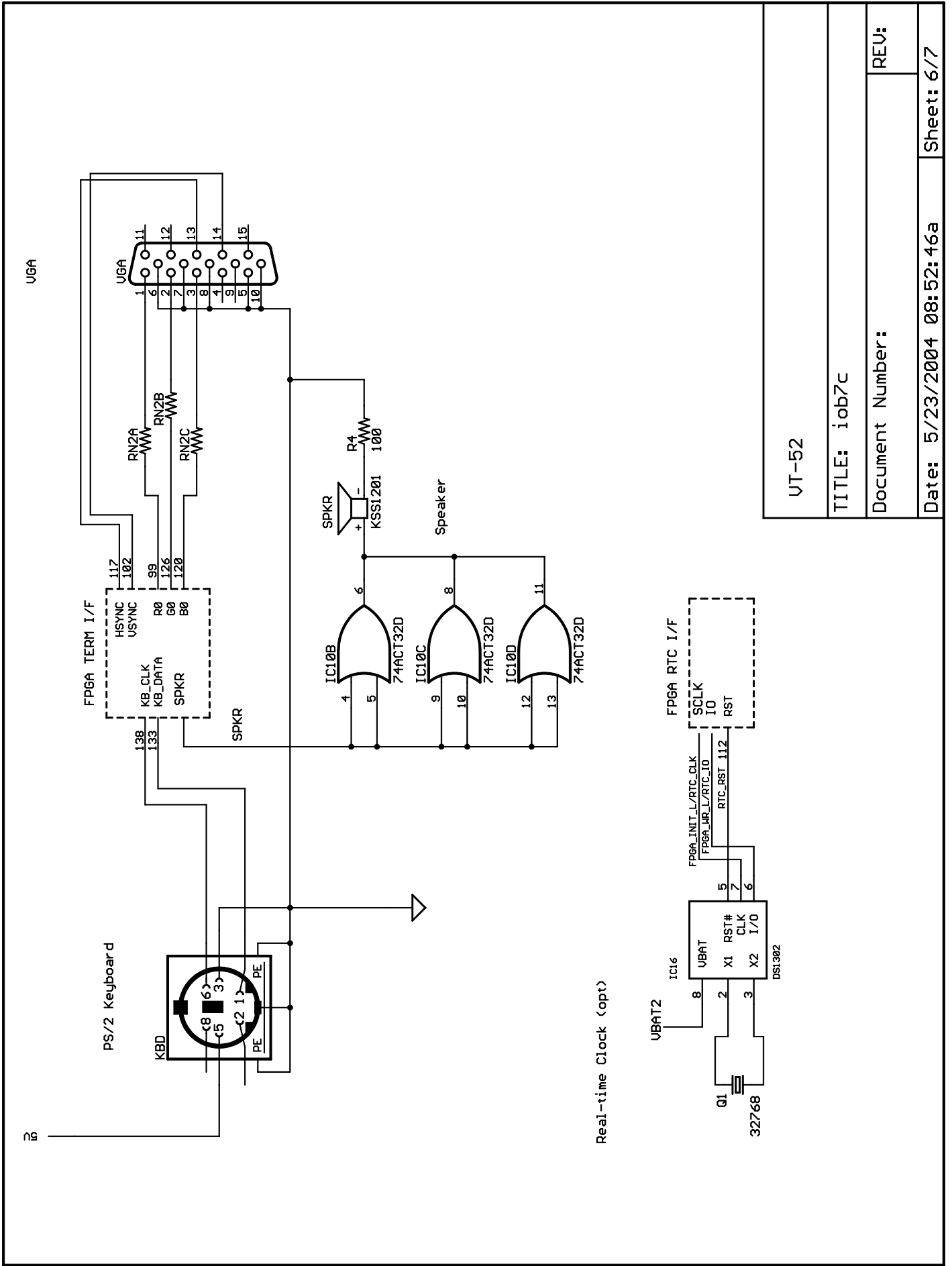
TITLE: iob7c

Document Number:

REV:

Date: 5/23/2004 08:52:46a

Sheet: 5/7



UT-52

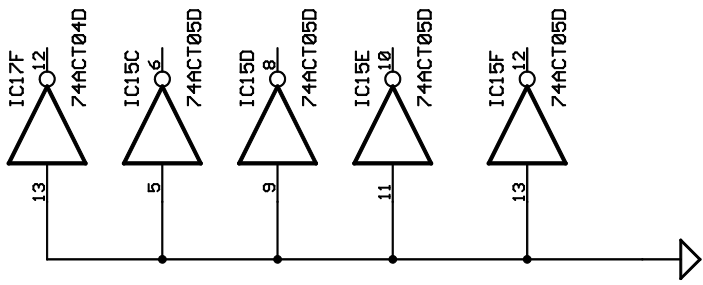
TITLE: iob7c

Document Number:

REV:

Date: 5/23/2004 08:52:46a

Sheet: 6/7



TITLE: iob7c	
Document Number:	
Date: 5/23/2004 08:52:46a	Sheet: 7/7