

32Kx12 Memory for PDP-8/E/F/M/A

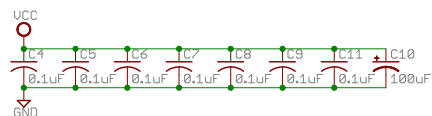
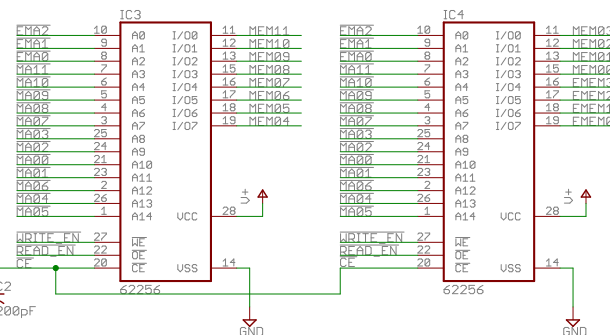
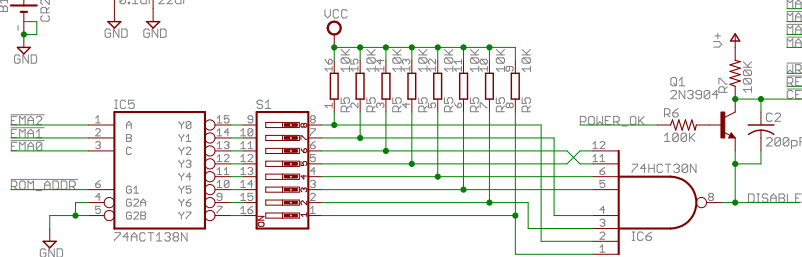
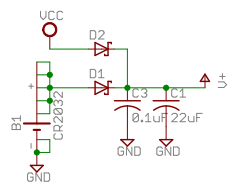
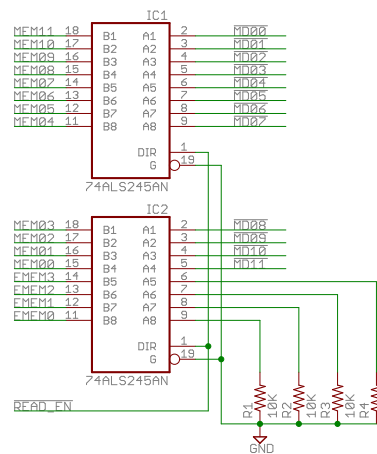
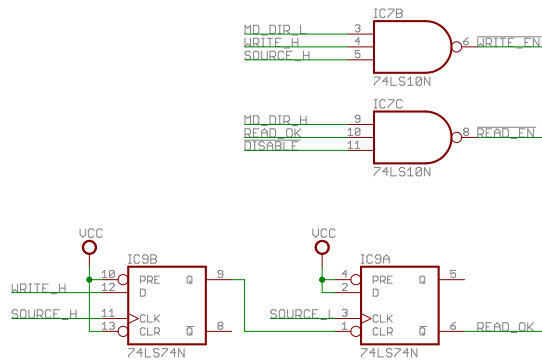
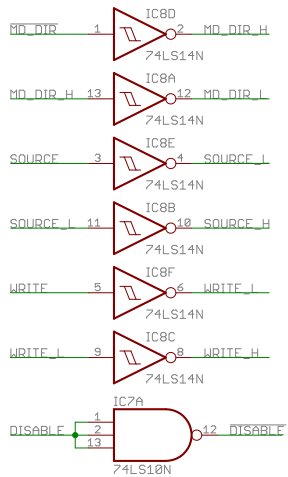
TITLE: Lafferty2

Document Number:
Steve Lafferty, 5/21/13

REV:
1

Date: 2/20/2016 10:29:22 AM

Sheet: 1/4



32Kx12 Memory for PDP-8/E/F/M/A

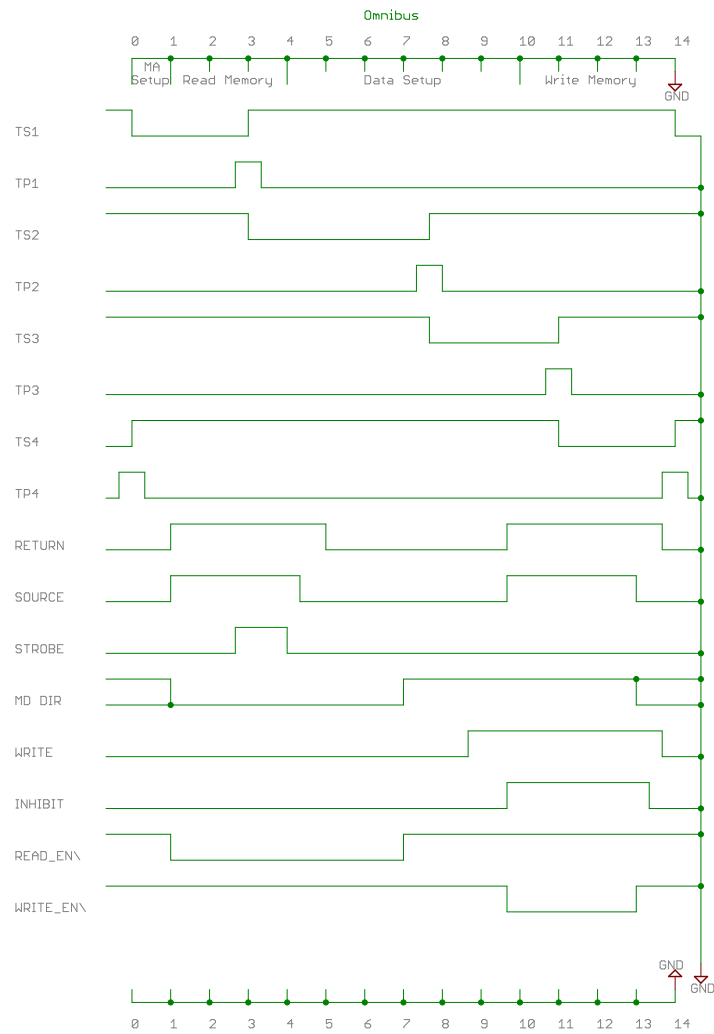
TITLE: Lafferty2

Document Number:
Steve Lafferty, 5/21/13

REV:
1

Date: 2/20/2016 10:29:22 AM

Sheet: 2/4



32Kx12 Memory for PDP-8/E/F/M/A

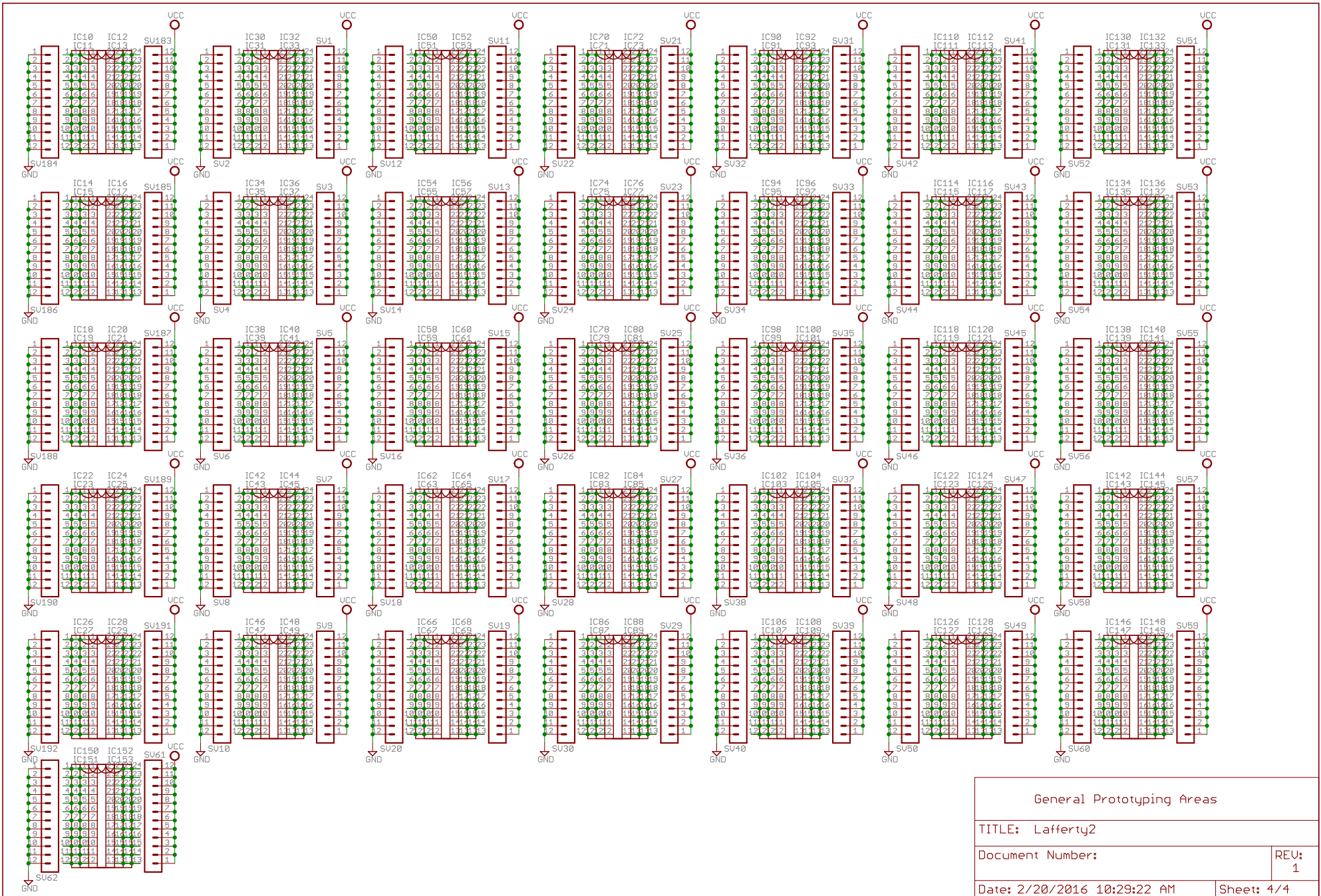
TITLE: Lafferty2

Document Number:
Steve Lafferty, 5/21/13

REV:
1

Date: 2/20/2016 10:29:22 AM

Sheet: 3/4



General Prototyping Areas	
TITLE: Lafferty2	
Document Number:	REV: 1
Date: 2/20/2016 10:29:22 AM	Sheet: 4/4