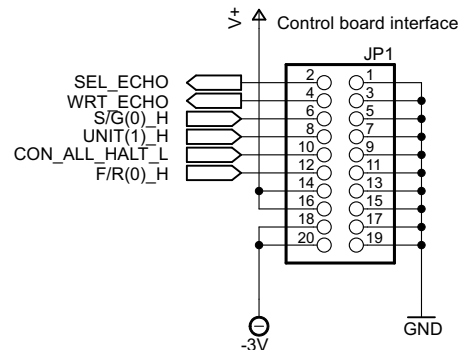
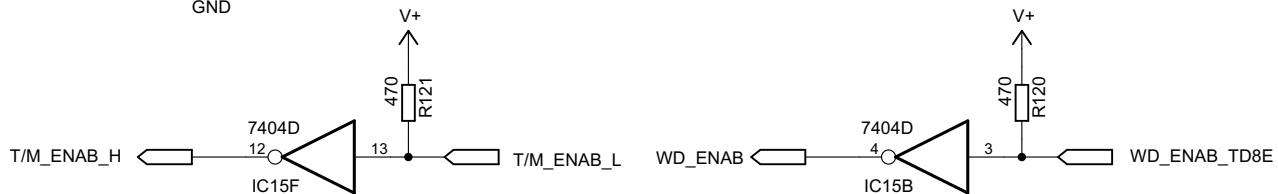
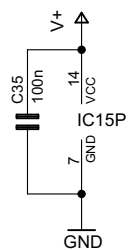
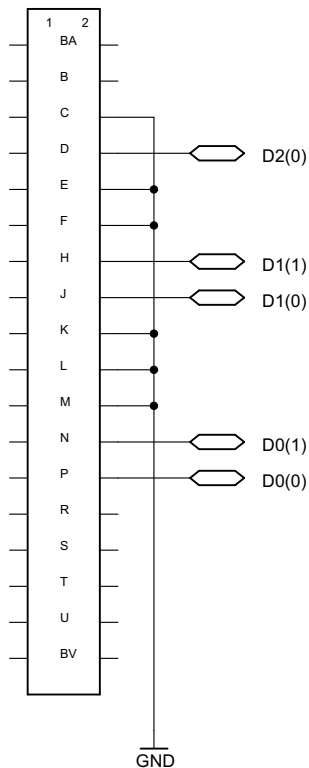
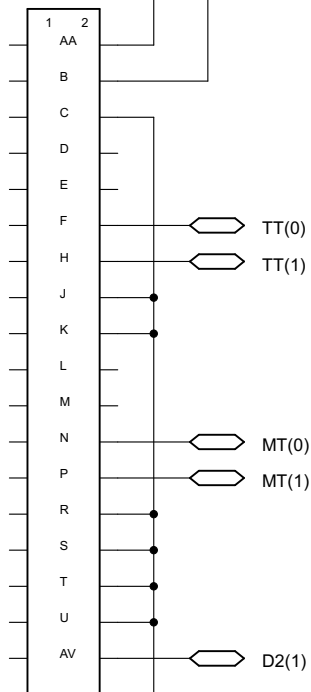
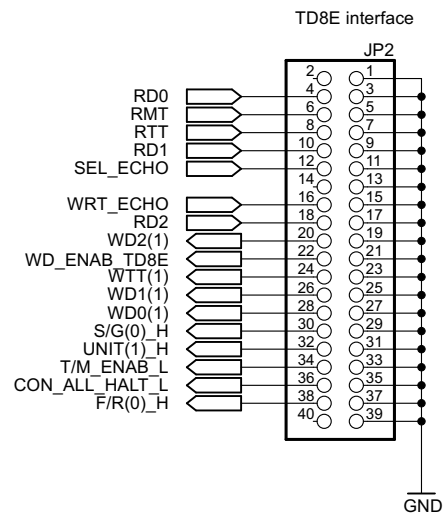


Data board interface, inserts in TU55/TU56 instead of M961. Replaces 5xG888 and M961

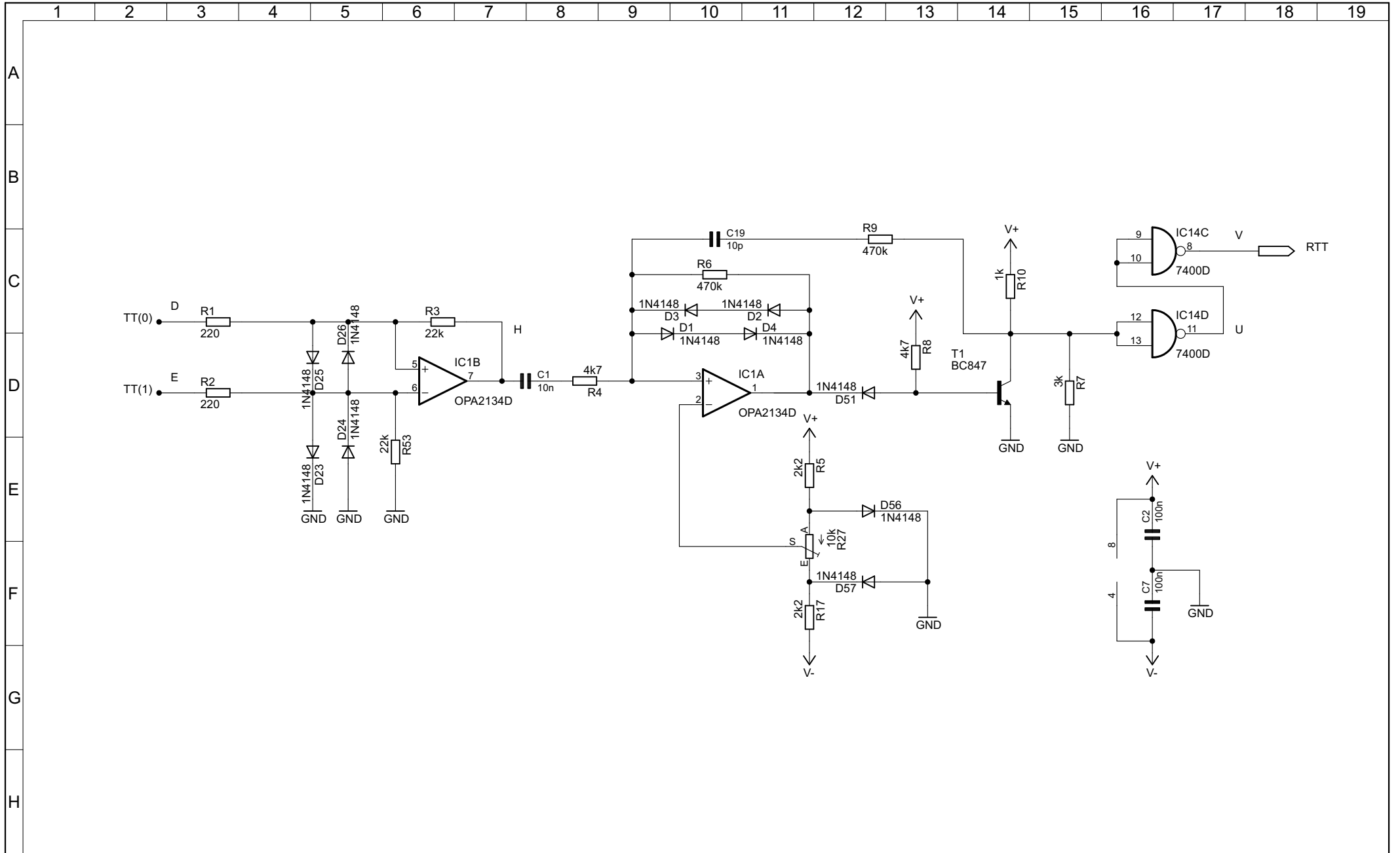
+10V -15V  
Only valid for TU55  
TU56 holds +5V on AA2 and -15V on AB2

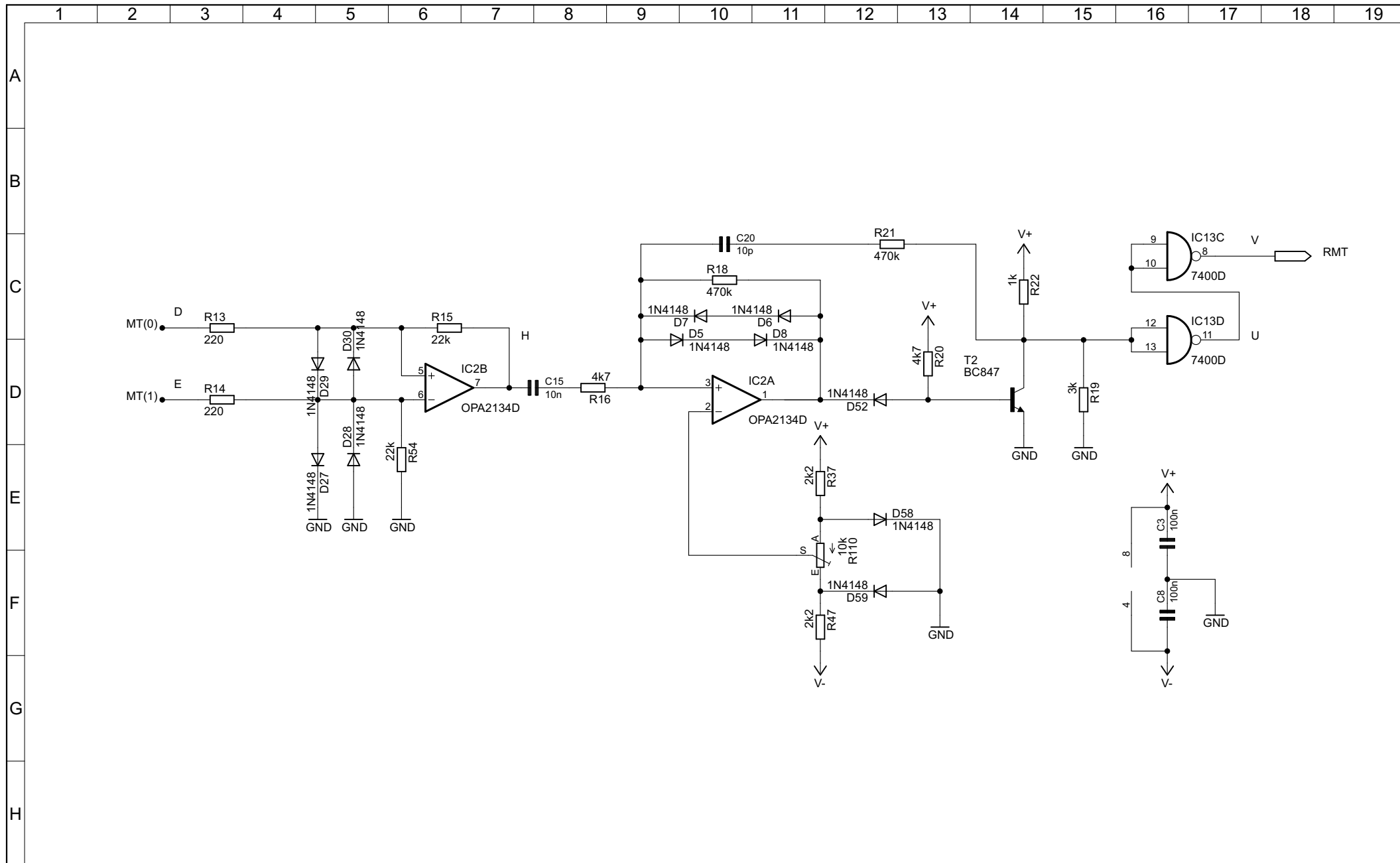


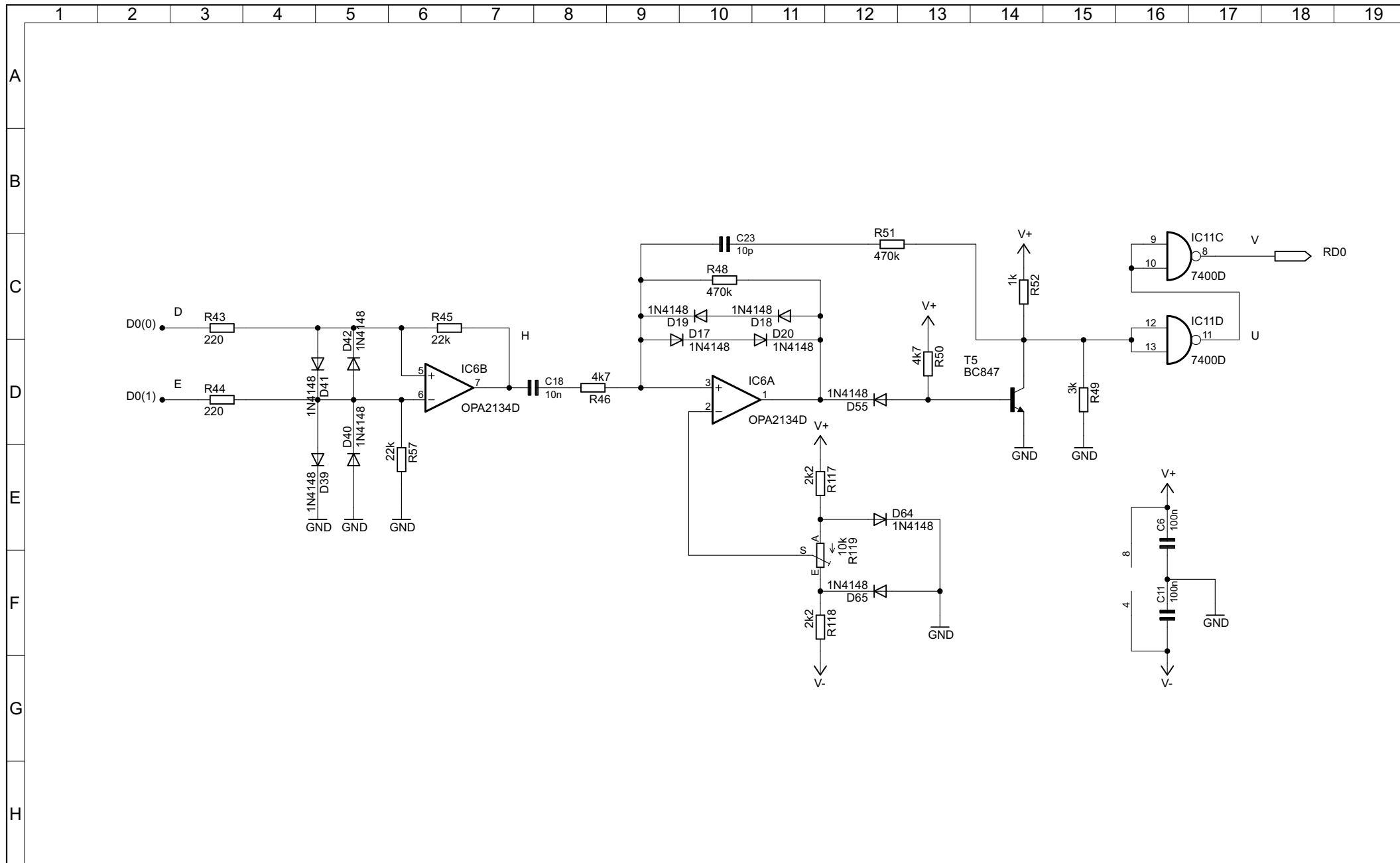
- PINLIST
- |                    |         |
|--------------------|---------|
| 2. SEL ECHO        | 1. GND  |
| 4. WRT ECHO        | 3. GND  |
| 6. S/G(0) H        | 5. GND  |
| 8. UNIT(1) H       | 7. GND  |
| 10. CON ALL HALT L | 9. GND  |
| 12. F/R(0) H       | 11. GND |
| 14. +5V            | 13. GND |
| 16. +5V            | 15. GND |
| 18. -3V            | 17. GND |
| 20. -3V            | 19. GND |

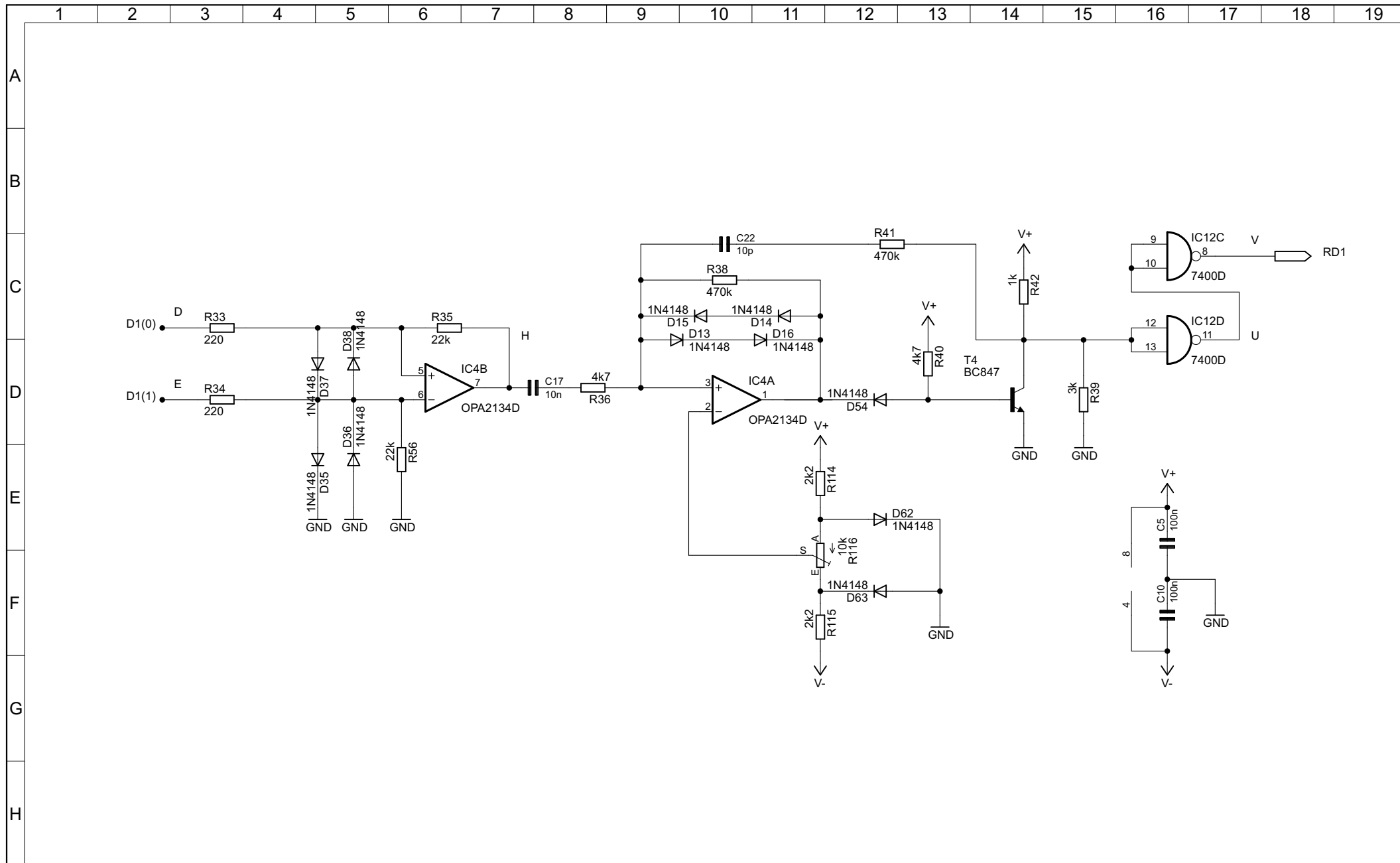


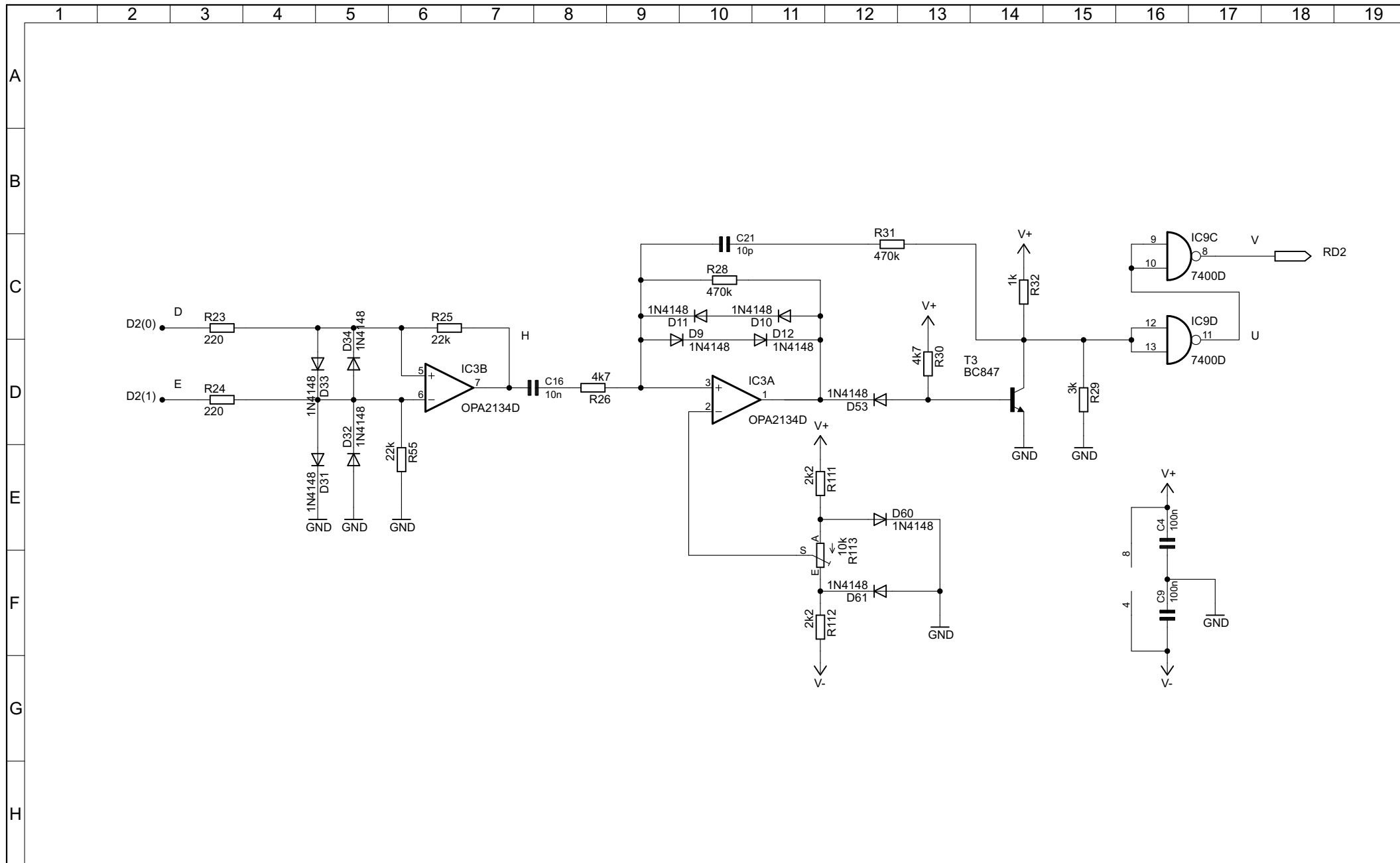
- PINLIST
- |                    |         |
|--------------------|---------|
| 2. RD0             | 1. GND  |
| 4. RMT             | 3. GND  |
| 6. RTT             | 5. GND  |
| 8. RD1             | 7. GND  |
| 10. SEL ECHO       | 9. GND  |
| 12. WRT ECHO       | 11. GND |
| 14. RD2            | 13. GND |
| 16. WRT ECHO       | 15. GND |
| 18. RD2            | 17. GND |
| 20. WD2            | 19. GND |
| 22. WD ENAB        | 21. GND |
| 24. WTT            | 23. GND |
| 26. WD1            | 25. GND |
| 28. WD0            | 27. GND |
| 30. S/G(0) H       | 29. GND |
| 32. UNIT(1) H      | 31. GND |
| 34. T/M ENAB L     | 33. GND |
| 36. CON ALL HALT L | 35. GND |
| 38. F/R(0) H       | 37. GND |
| 40. F/R(0) H       | 39. GND |

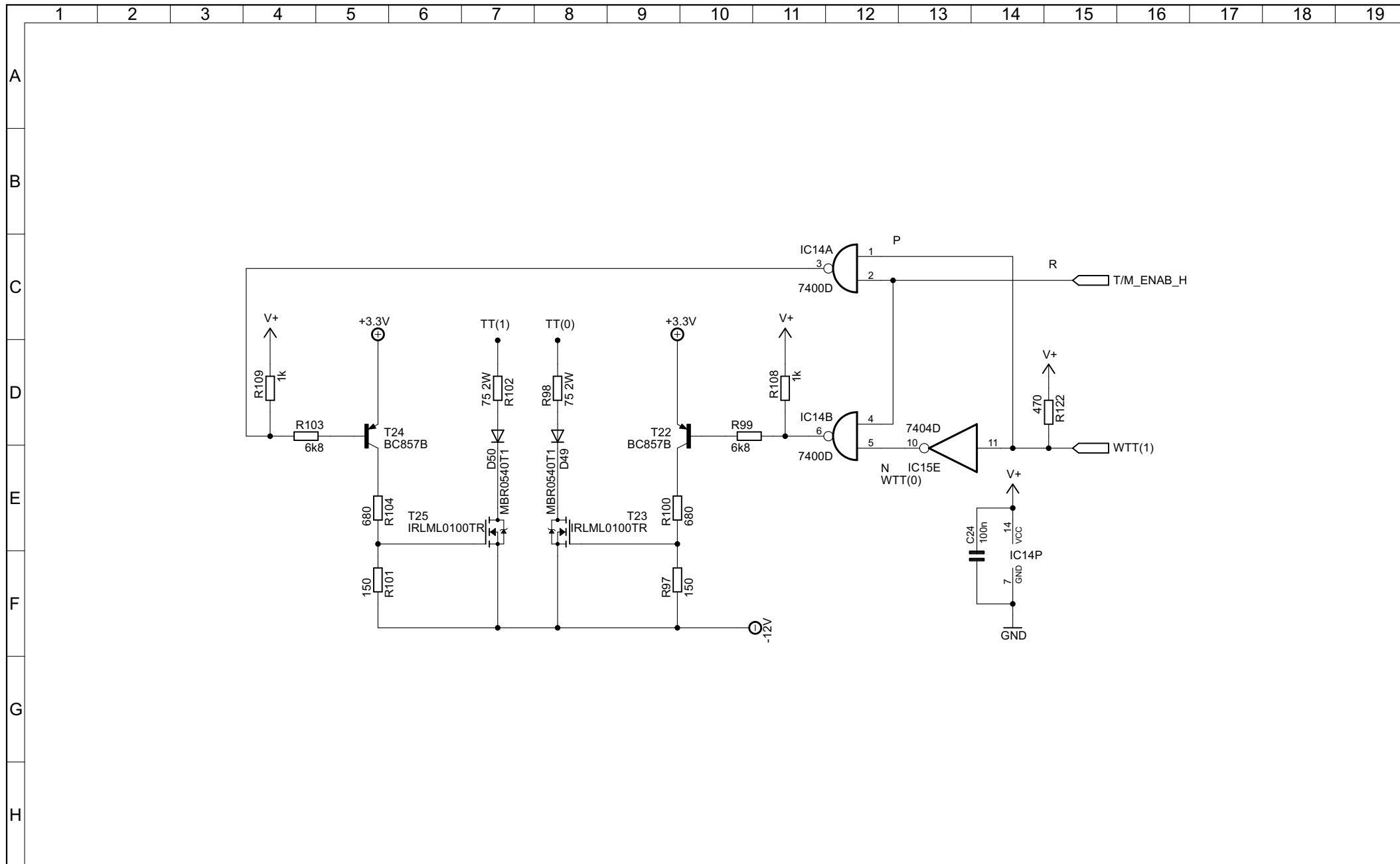


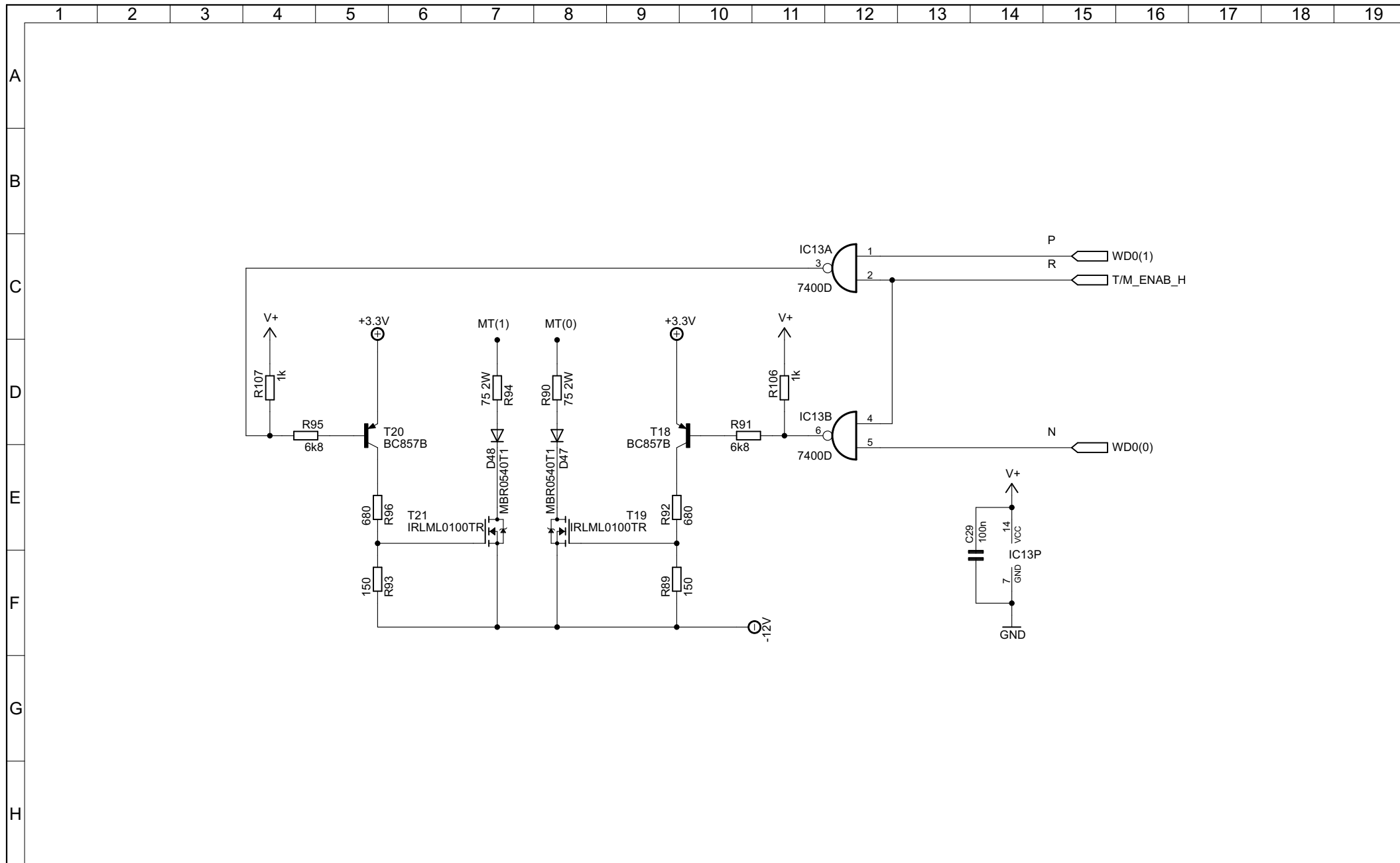




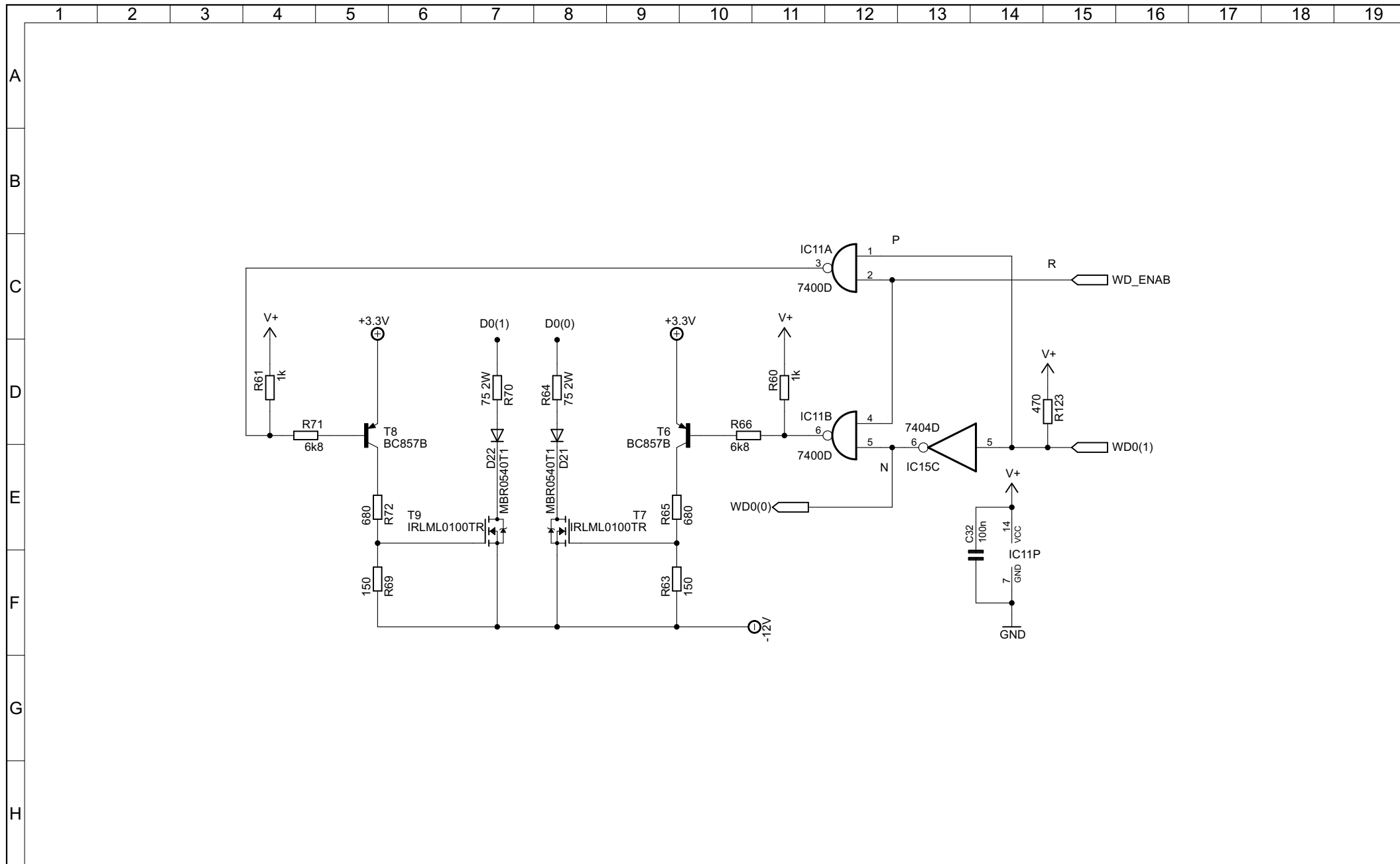


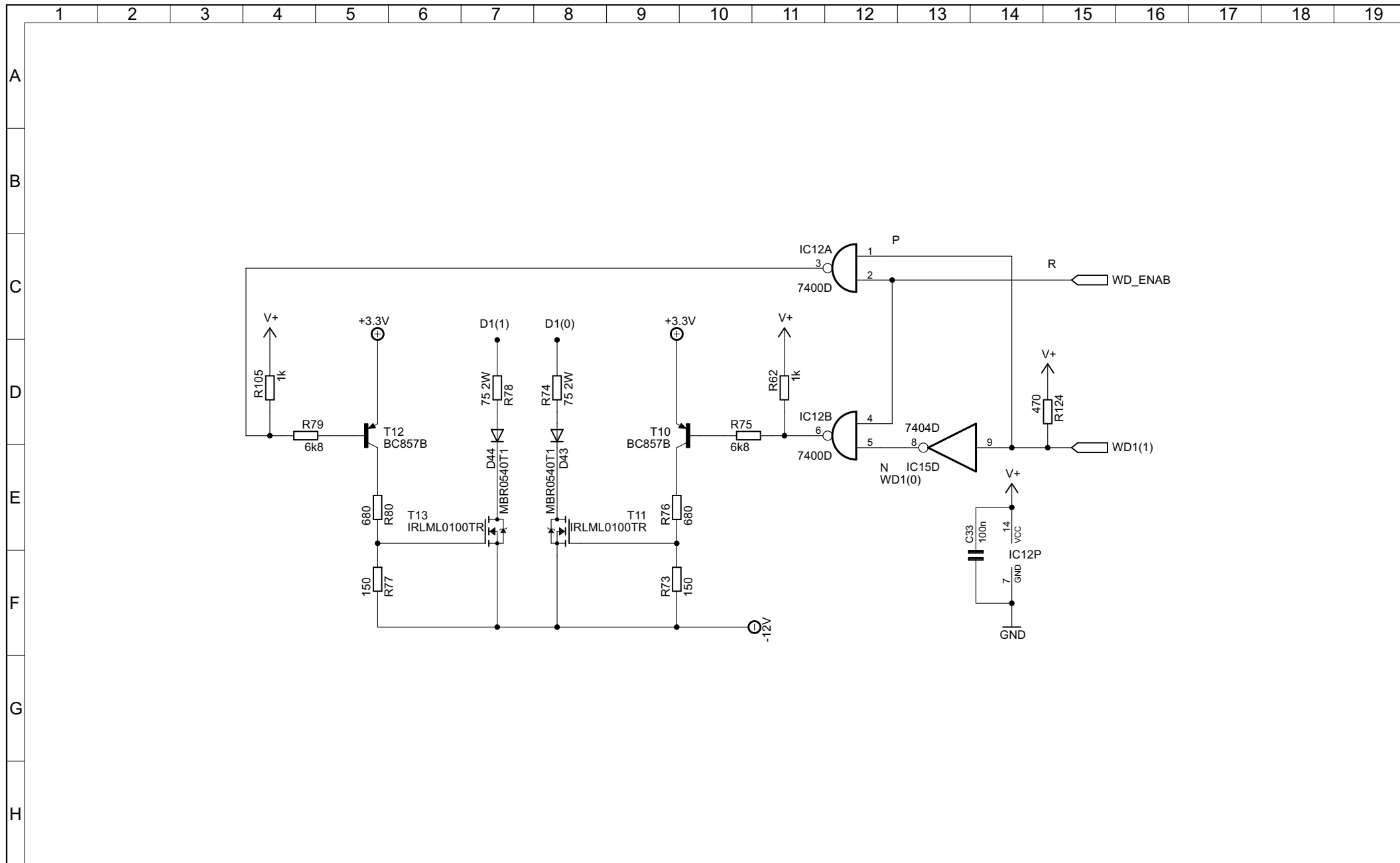


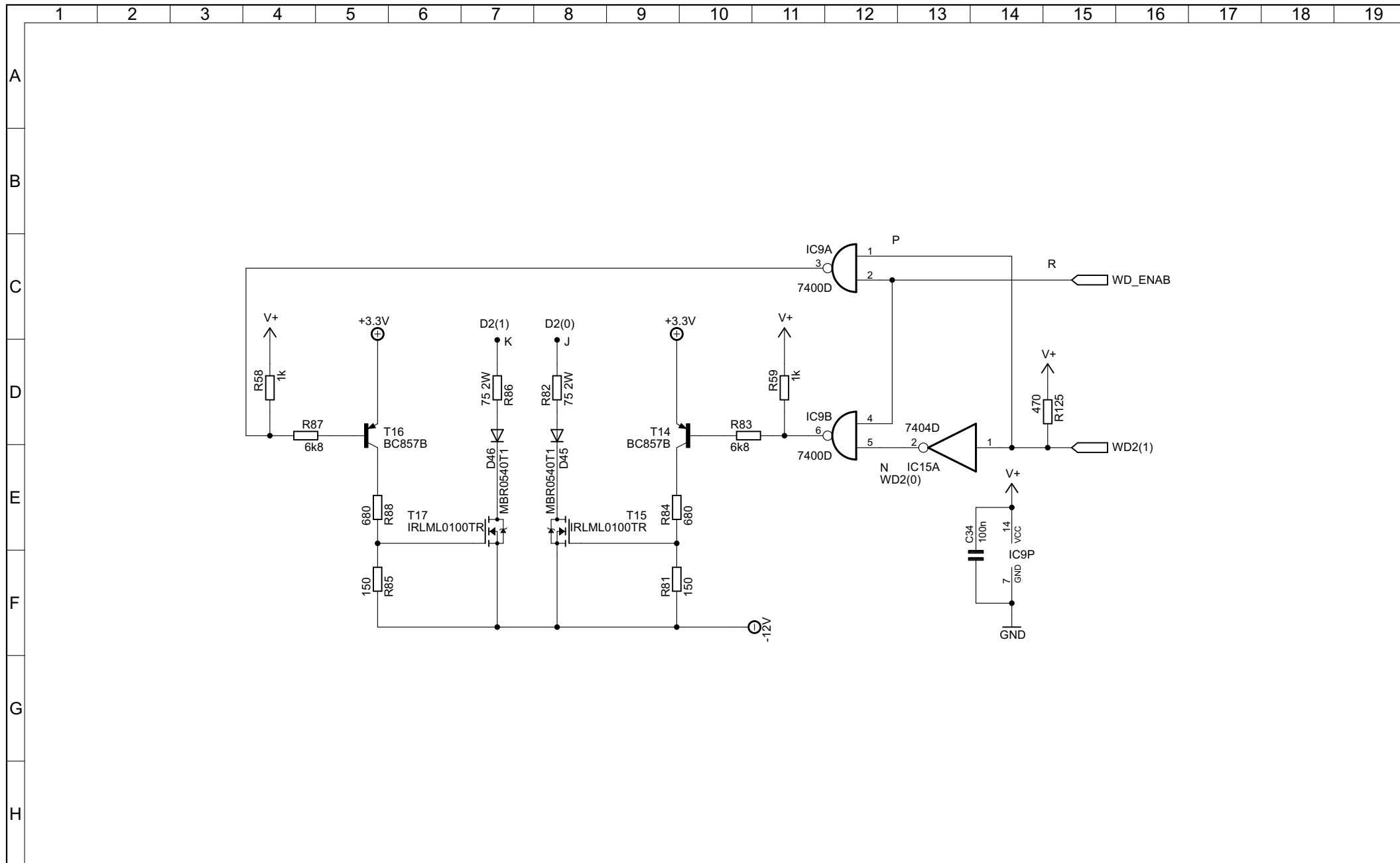


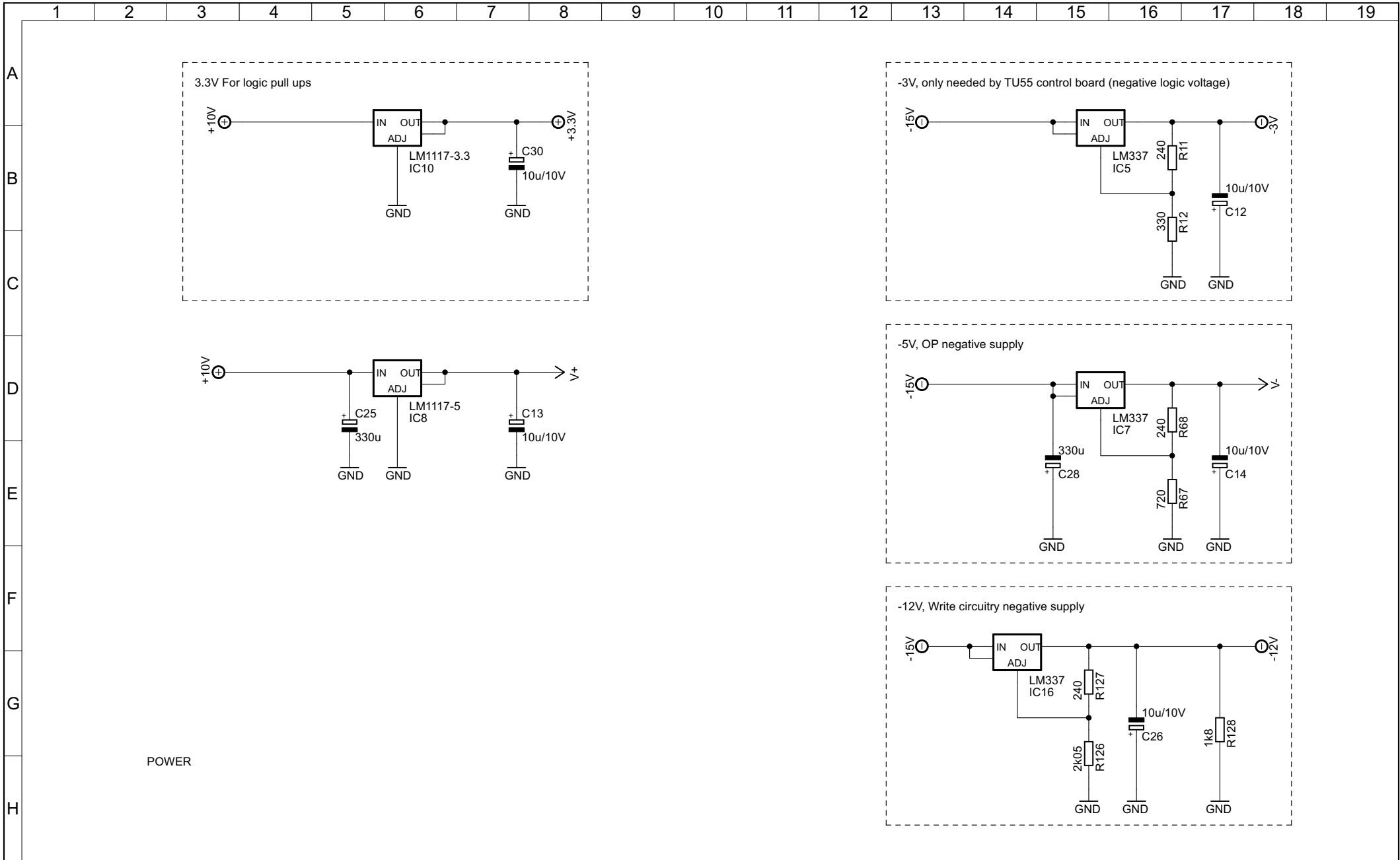












TO DO:

Is R58/R59 and others needed (pull up on write circuit)

Is the bulk cap 68u needed near power FET switches (check G888-mkII)

How to solve +5V/+10V power supply

