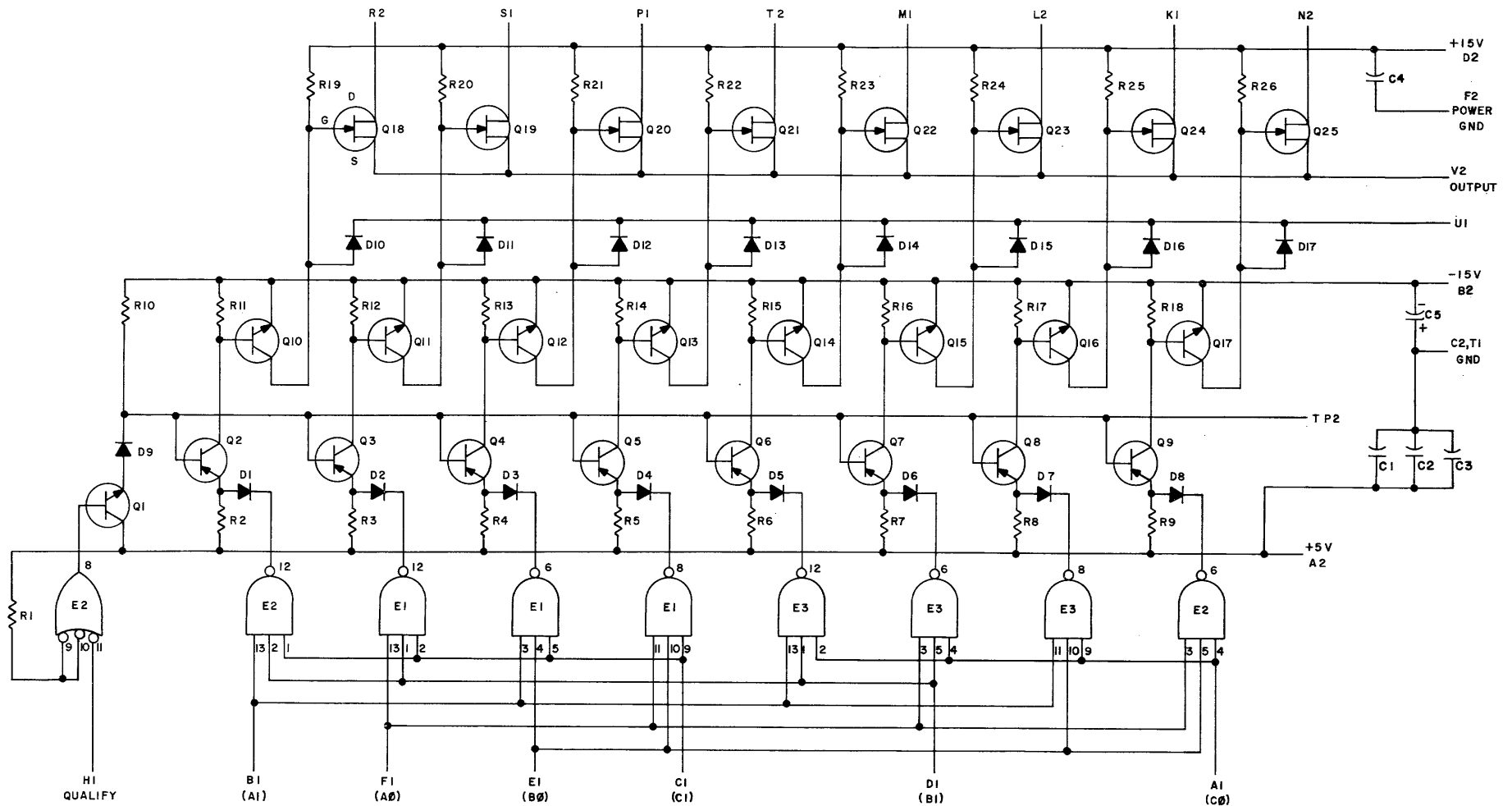


THIS SCHEMATIC IS FURNISHED ONLY FOR TEST AND MAINTENANCE PURPOSES. THE CIRCUITS ARE PROPRIETARY IN NATURE AND SHOULD BE TREATED ACCORDINGLY. COPYRIGHT 1969 BY DIGITAL EQUIPMENT CORPORATION



NOTE:
PIN 7 ON EACH IC = GND
PIN 14 ON EACH IC = +5V

| | | |
|-----------------------|-----------------------------|---------------|
| E1, E2, E3 | INTEGRATED CKT DEC7410N | 1905576 |
| Q18-Q25 | TRANSISTOR 2N5245 OR TIS 88 | 1509681 |
| Q2-Q9 | TRANSISTOR DEC6534B | 1503409-01 |
| Q1, Q10-Q17 | TRANSISTOR DEC3009B-S | 1503100 |
| R19-R26 | RES 10K 1/4W 5% CC | 1300479 |
| R11-R18 | RES 3.3K 1/4W 5% CC | 1300439 |
| R2-R10 | RES 1.5K 1/4W 5% CC | 1300391 |
| R1 | RES 33K 1/4W 10% | 1300510 |
| D1-D17 | DIODE D664 | 1100114 |
| C1-C4 | CAP .01 MFD 100V 20% DISC | 1001610 |
| C5 | CAP 6.8 MFD 35V 20% STANT | 1000067 |
| PARTS LIST | | A-PL-A131-0-0 |
| REFERENCE DESIGNATION | DESCRIPTION | PART NO |

| | | | | | |
|-----------------|------|------|-------------------------------------|---------|---|
| REVISIONS | DRN | DATE | TRANSISTOR & DIODE CONVERSION CHART | | TITLE MULTIPLEX A131 |
| CHK CHG NO. REV | CHKD | DATE | DEC | EIA | |
| 00001 B | | | D664 | 1N3606 | EQUIPMENT CORPORATION MAYNARD, MASSACHUSETTS |
| 00002 C | | | DEC3009B | 2N3009 | |
| | ENG. | DATE | DEC6534B | MPS6534 | SIZE CODE NUMBER |
| | PROD | DATE | 2N5245 | NONE | C CS A131-0-1 |
| | | | | | PRINTED CIRCUIT REV. |

REV: C
SIZE CODE NUMBER
G CS A131-0-1