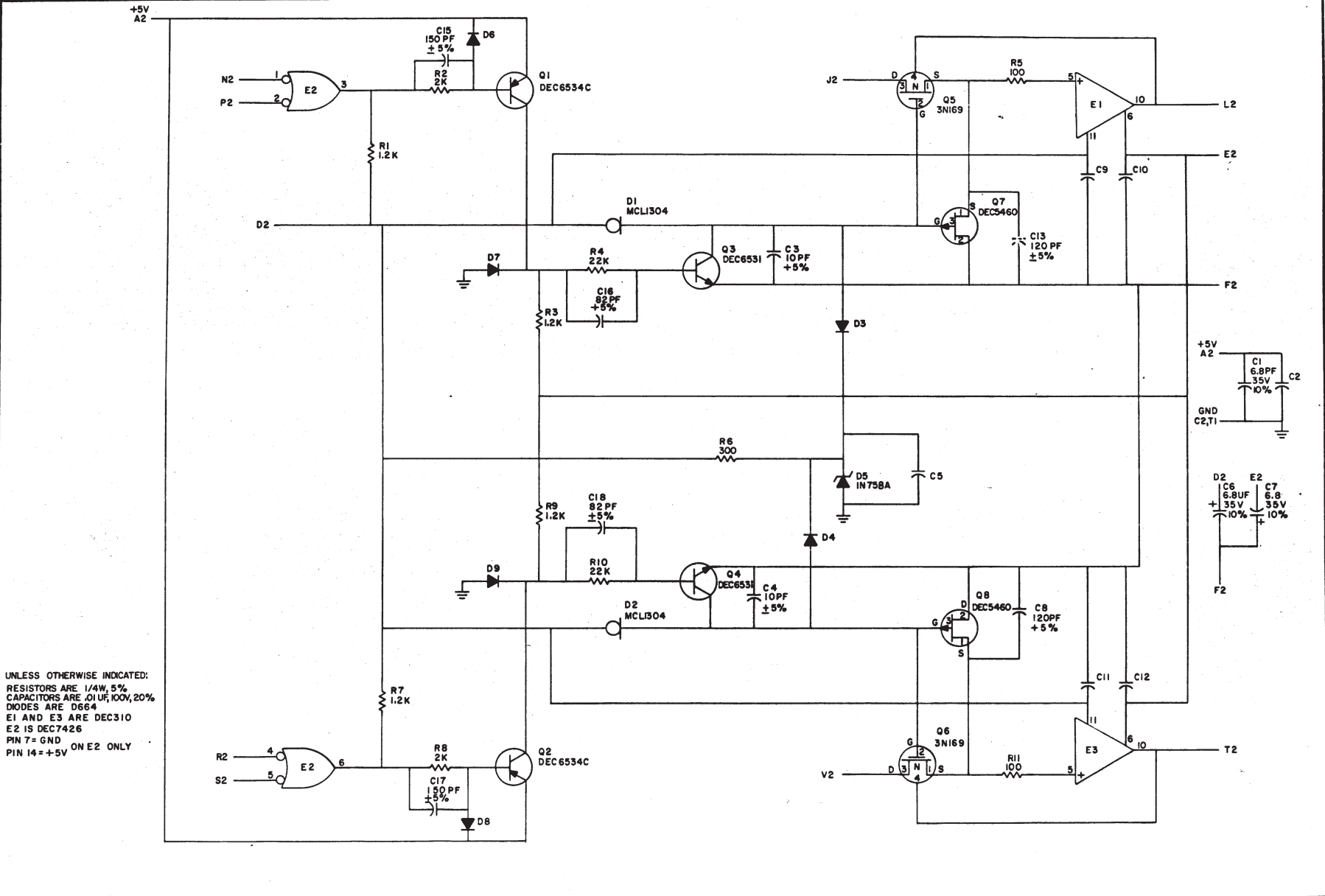


THIS SCHEMATIC IS FURNISHED ONLY FOR TEST AND MAINTENANCE PURPOSES. THE CIRCUITS ARE PROPRIETARY IN NATURE AND SHOULD BE TREATED ACCORDINGLY. COPYRIGHT 1970 BY DIGITAL EQUIPMENT CORPORATION



UNLESS OTHERWISE INDICATED:
 RESISTORS ARE 1/4W, 5%
 CAPACITORS ARE .01UF, 100V, 20%
 DIODES ARE D664
 E1 AND E3 ARE DEC310
 E2 IS DEC7426
 PIN 7 = GND ON E2 ONLY
 PIN 14 = +5V

REVISIONS	CHK'D	NO	REV
	BOOBI	A	
	BOOBI	B	
	BOOBI	C	
	BOOBI	D	
	BOOBI	E	
	BOOBI	F	
	BOOBI	G	
	BOOBI	H	
	BOOBI	I	
	BOOBI	J	
	BOOBI	K	
	BOOBI	L	
	BOOBI	M	
	BOOBI	N	
	BOOBI	O	
	BOOBI	P	
	BOOBI	Q	
	BOOBI	R	
	BOOBI	S	
	BOOBI	T	
	BOOBI	U	
	BOOBI	V	
	BOOBI	W	
	BOOBI	X	
	BOOBI	Y	
	BOOBI	Z	

OWN	N. MOORE	DATE	4-22-70
CHK'D	D. SMITH	DATE	4-22-70
ENG	R. LAWRIE	DATE	6-2-71
PROD	R. SILVERMAN	DATE	7-20-70

TRANSISTOR & DIODE CONVERSION CHART			
DEC	EIA	DEC	EIA
D664	IN3606	DEC6534C	NONE
IN756A	2N3680	DEC6531	NONE
MCL1304	3N169	DEC5460	NONE

digital EQUIPMENT CORPORATION
 MAYNARD, MASSACHUSETTS

TITLE: DUAL ANALOG SWITCH A140

SIZE: C CODE: CS NUMBER: A140-0-1 REV: C

PRINTED CIRCUIT REV: C

REV. C
 NUMBER A140-0-1
 SIZE CODE CS

5 11 324, 254, 213 P11K